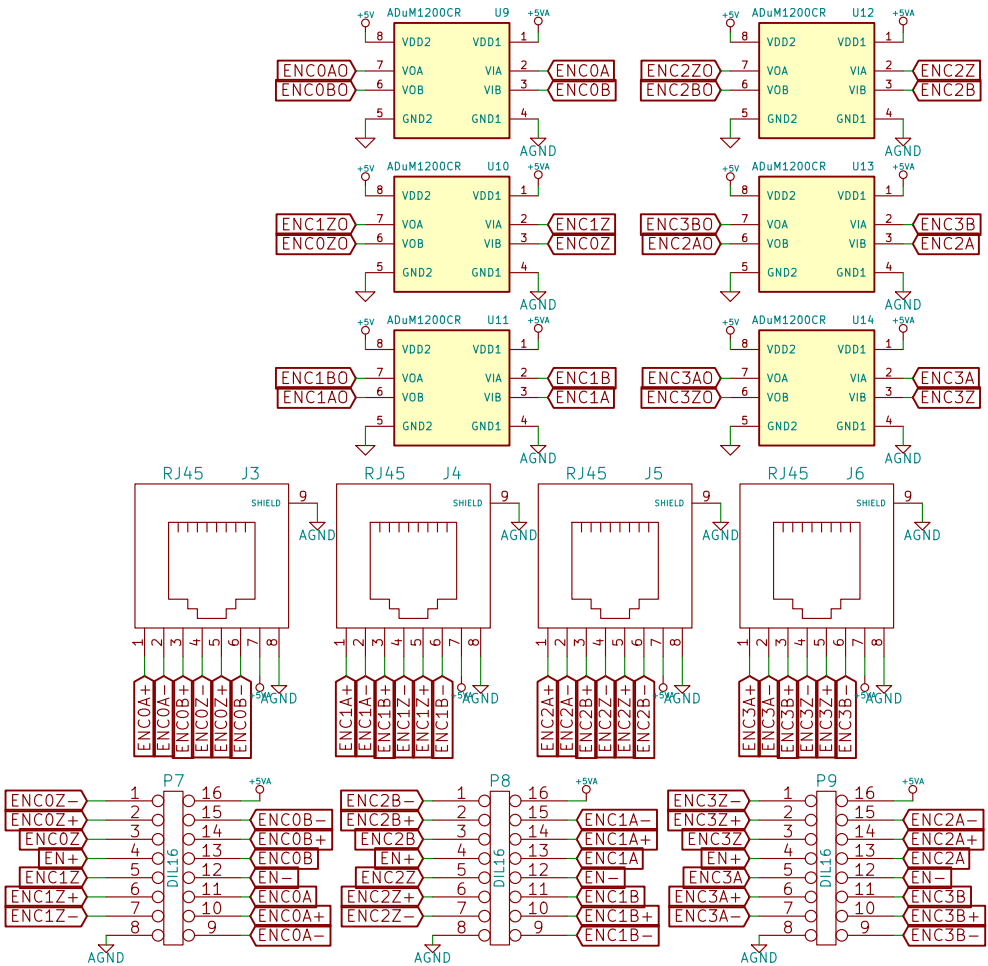
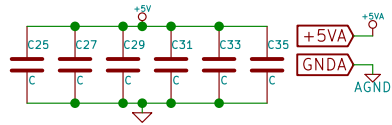
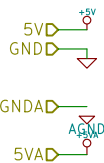
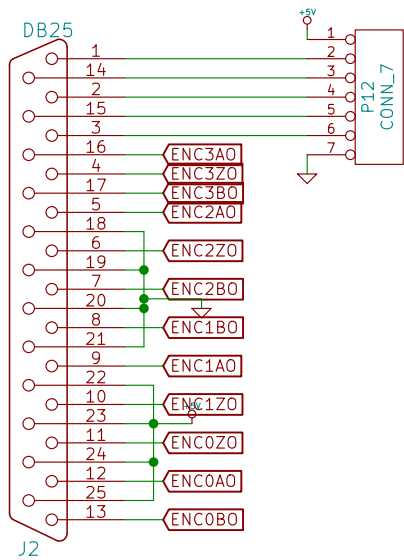


| | | | |
|--------------------|---|-------|---------|
| Sheet: / | | Date: | |
| File: db25_bob.sch | | Rev: | |
| Size: A4 | KiCad E.D.A. kicad (2016-01-17 BZR 6493, Git da9ca2d)-product | | Id: 1/2 |



| | |
|---|--------------|
| Sheet: /Encoder/ File: encoder.sch | |
| Title: | |
| Size: A4 | Date: |
| KiCad E.D.A. kicad (2016-01-17 BZR 6493, Git da9ca2d)-product | |
| | Rev: Id: 2/2 |