

Sheet: /
File: stmbL_4.0.sch

Title:

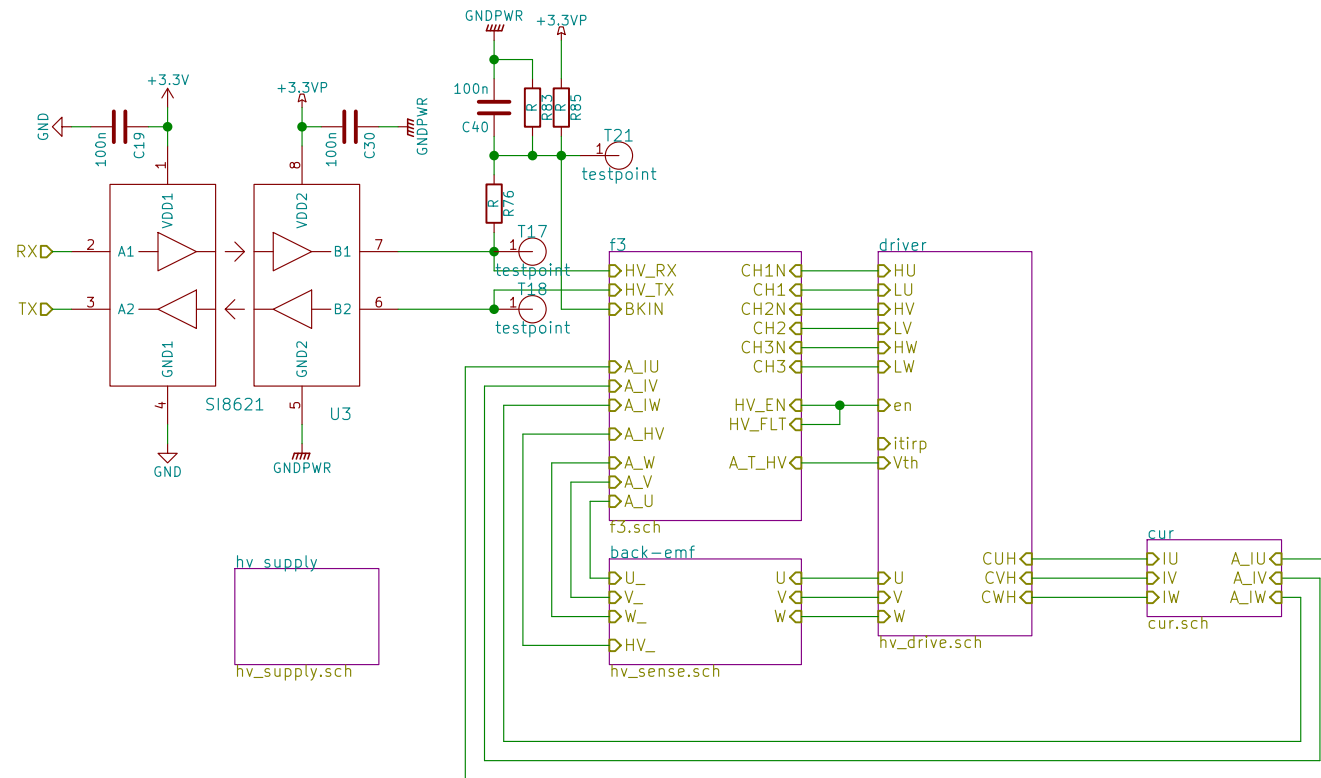
Size: A4

Date:

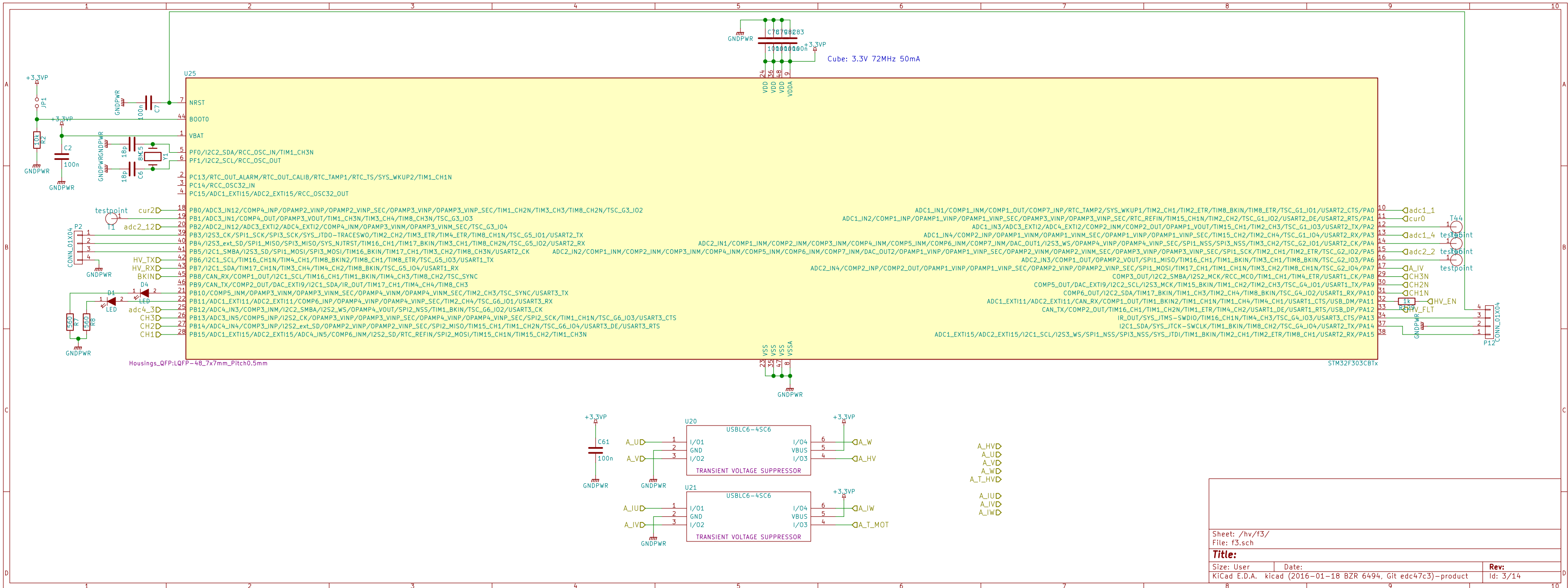
Rev:

KiCad E.D.A. kicad (2016-01-18 BZR 6494, Git edc47c3)-product

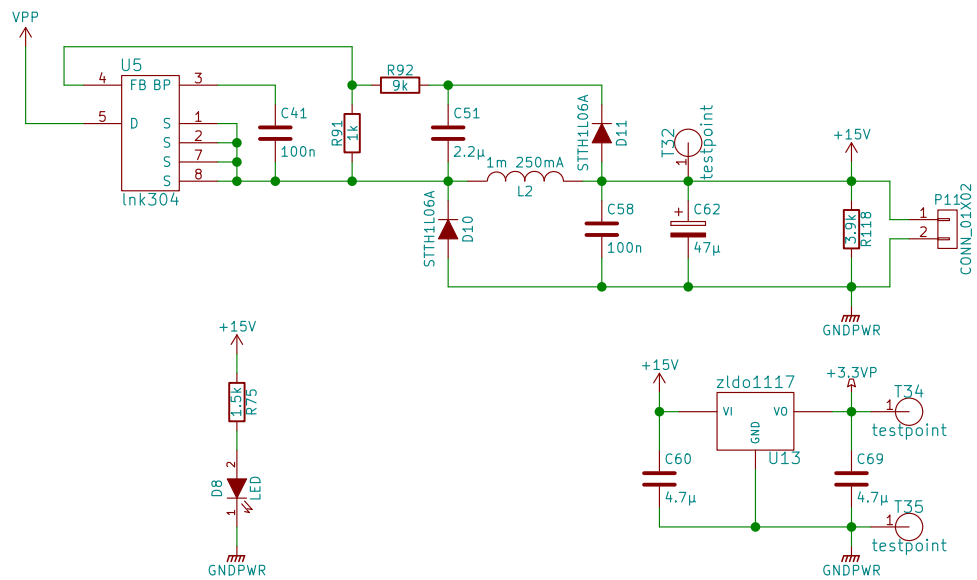
Id: 1/14



Sheet: /hv/		Date:	
File: hv.sch		Rev:	
Size: A4	KiCad E.D.A. kicad (2016-01-18 BZR 6494, Git edc47c3)-product		Id: 2/14



Sheet: /hv/f3/		
File: f3.sch		
Title:		
Size: User	Date:	Rev:
KiCad E.D.A. kicad (2016-01-18 BZR 6494, Git edc47c3)-product		Id: 3/14



Sheet: /hv/hv supply/
 File: hv_supply.sch

Title:

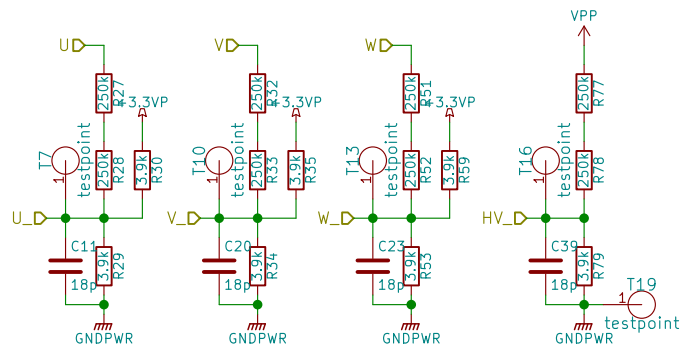
Size: A4

Date:

KiCad E.D.A. kicad (2016-01-18 BZR 6494, Git edc47c3)-product

Rev:

Id: 4/14



Sheet: /hv/back-emf/
File: hv_sense.sch

Title:

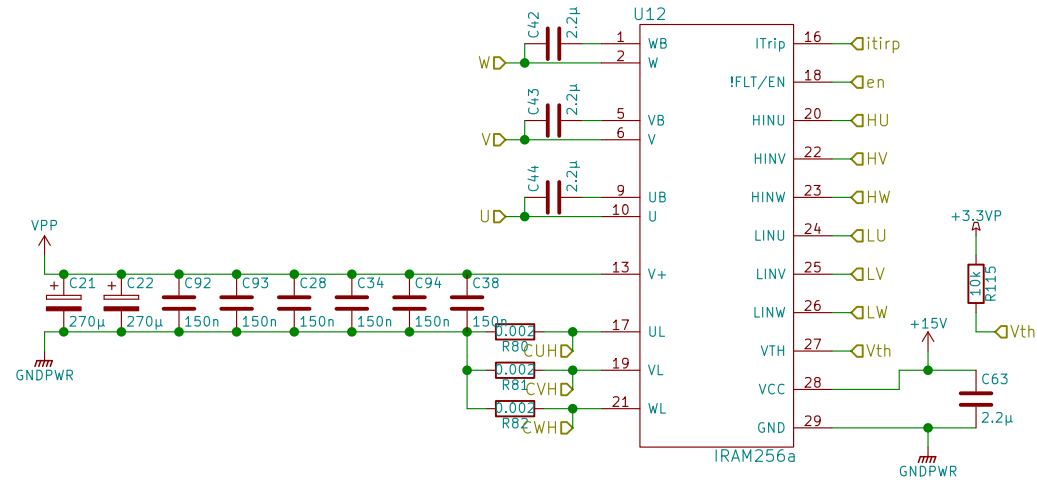
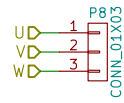
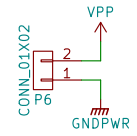
Size: A4

Date:

Rev:

KiCad E.D.A. kicad (2016-01-18 BZR 6494, Git edc47c3)-product

Id: 5/14

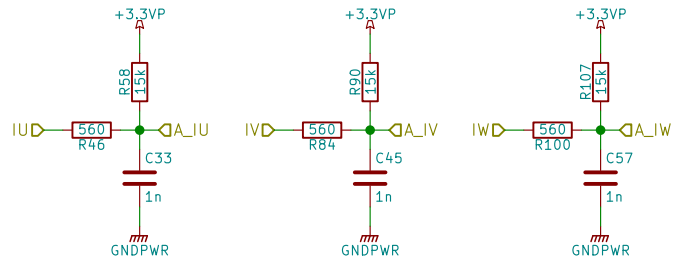


Sheet: /hv/driver/
File: hv_drive.sch

Title:

Size: A4 Date:
KiCad E.D.A. kicad (2016-01-18 BZR 6494, Git edc47c3)-product

Rev: 6/14



Sheet: /hv/cur/
File: cur.sch

Title:

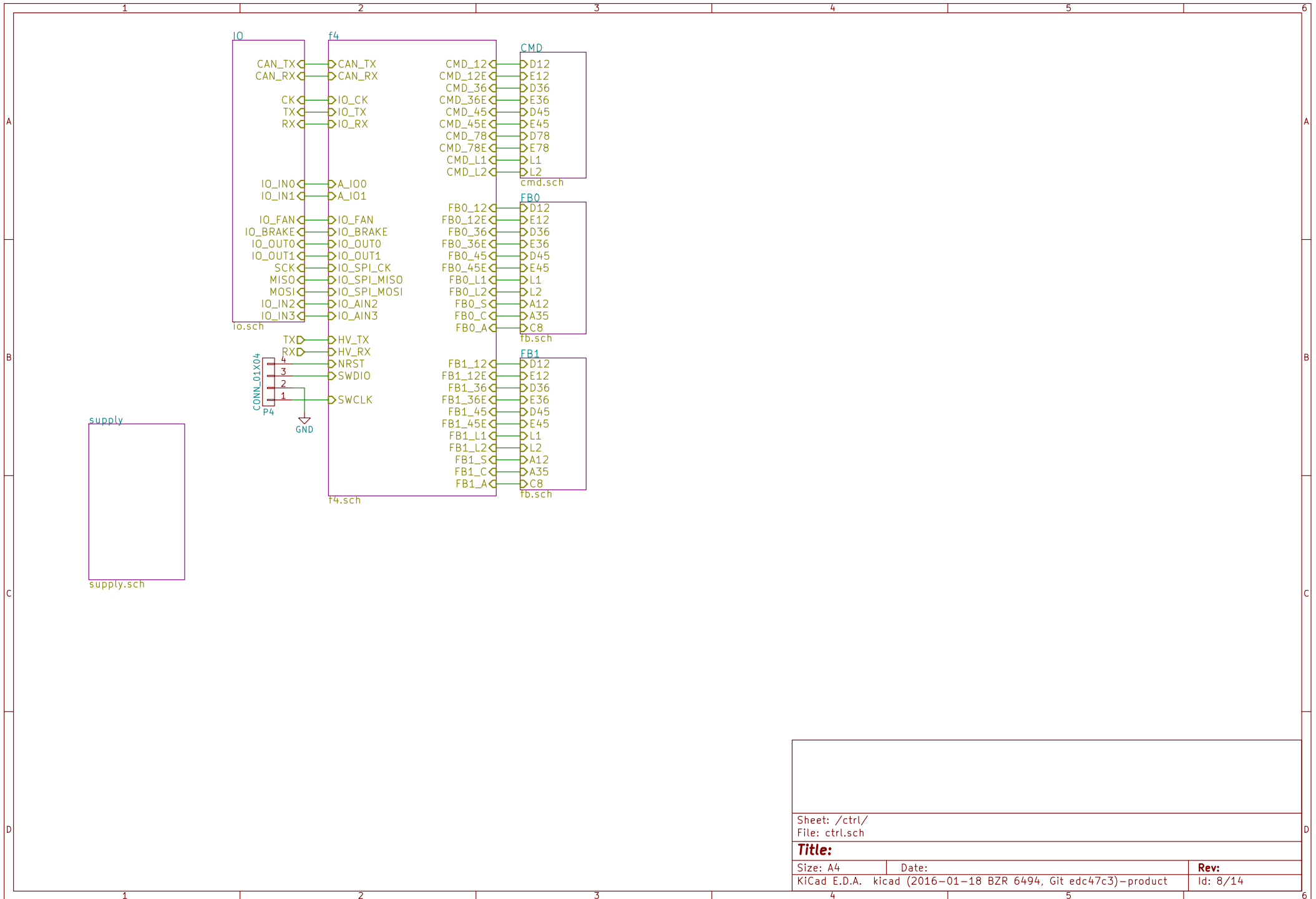
Size: A4

Date:

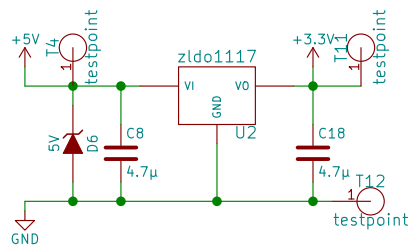
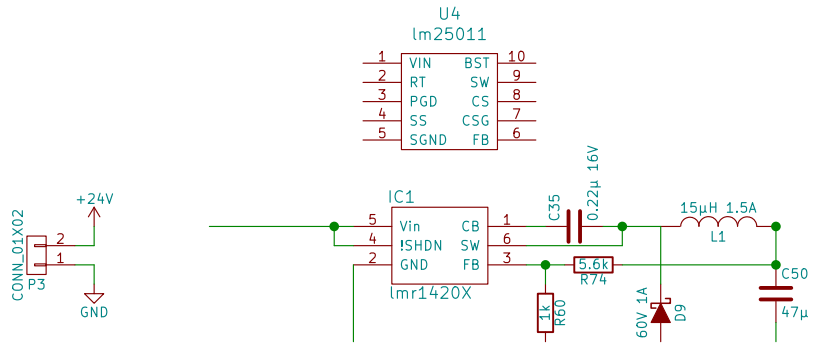
Rev:

KiCad E.D.A. kicad (2016-01-18 BZR 6494, Git edc47c3)-product

Id: 7/14



Sheet: /ctrl/		
File: ctrl.sch		
Title:		
Size: A4	Date:	Rev:
KiCad E.D.A. kicad (2016-01-18 BZR 6494, Git edc47c3)-product		Id: 8/14

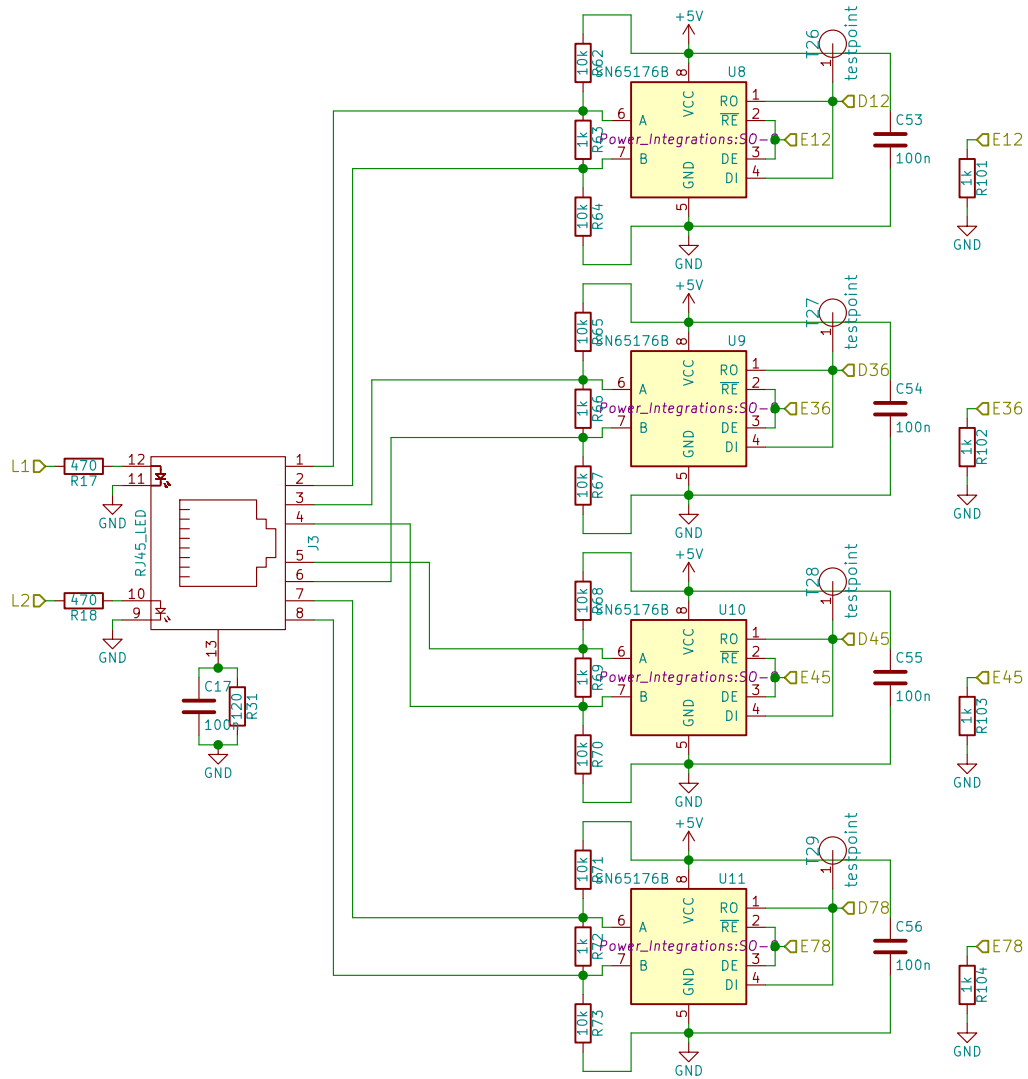


Sheet: /ctrl/supply/
File: supply.sch

Title:

Size: A4 Date:
KiCad E.D.A. kicad (2016-01-18 BZR 6494, Git edc47c3)-product

Rev:
Id: 9/14

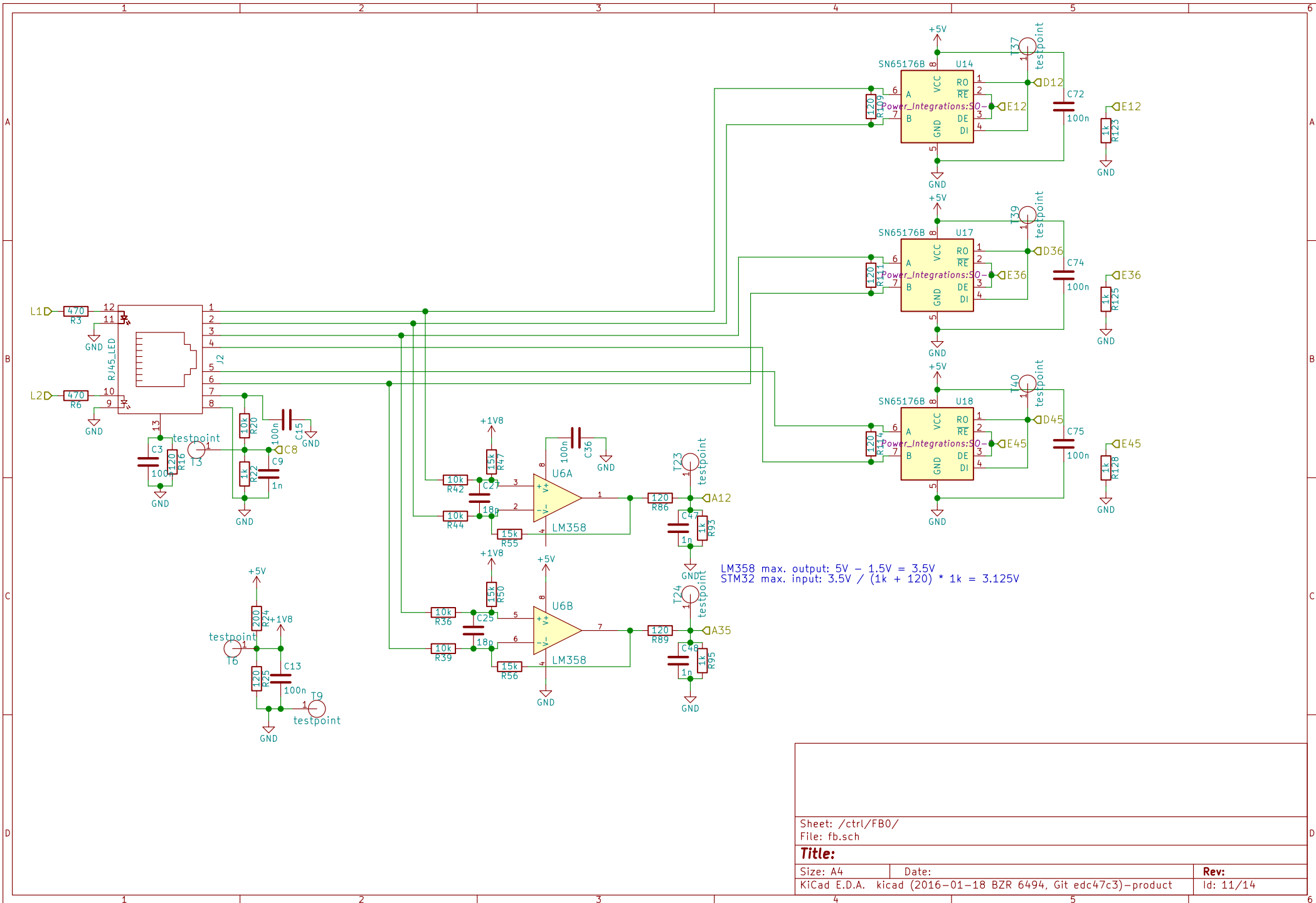


Sheet: /ctrl/CMD/
File: cmd.sch

Title:

Size: A4 Date:
KiCad E.D.A. kicad (2016-01-18 BZR 6494, Git edc47c3)-product

Rev:
Id: 10/14

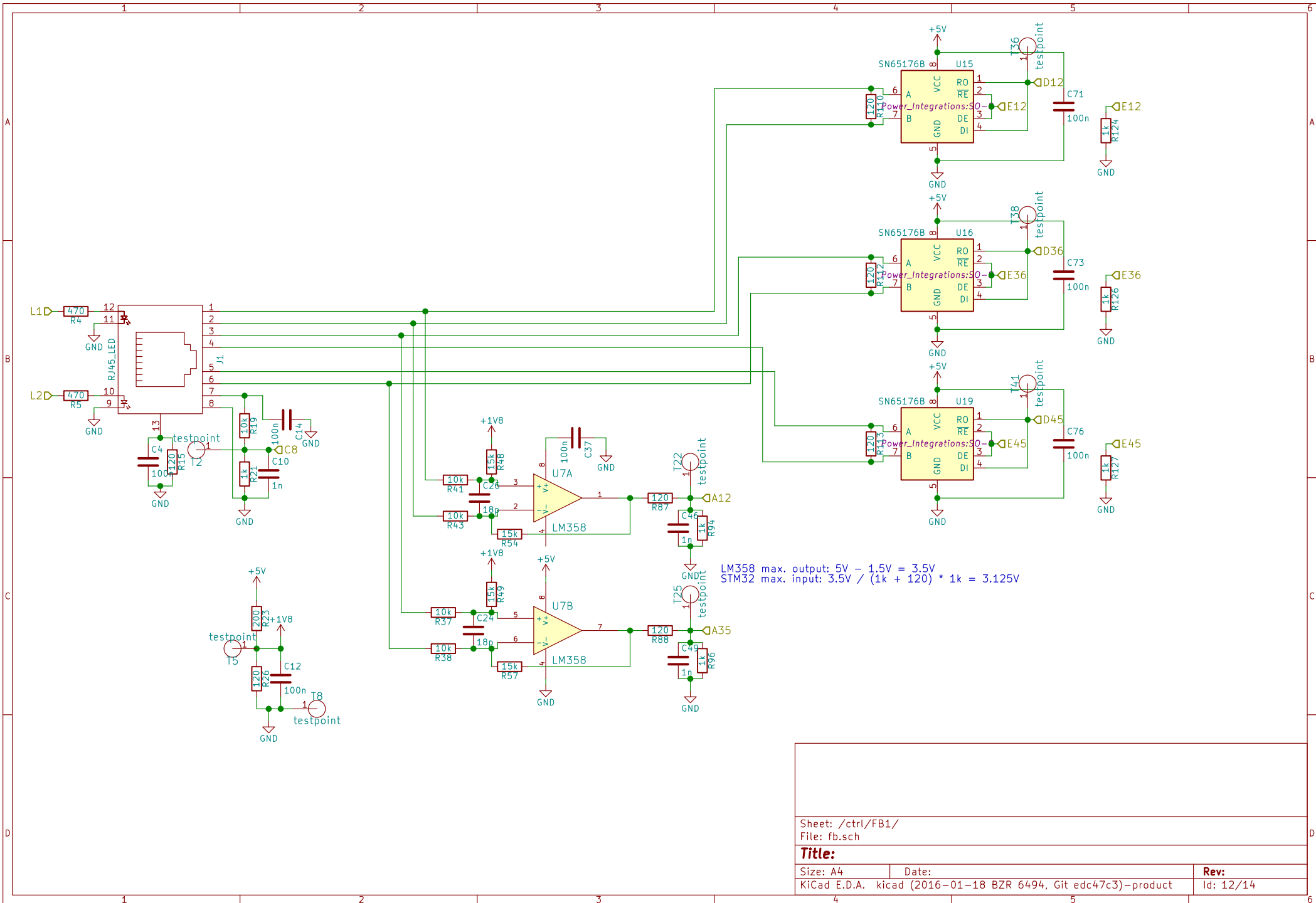


Sheet: /ctrl/FB0/
 File: fb.sch

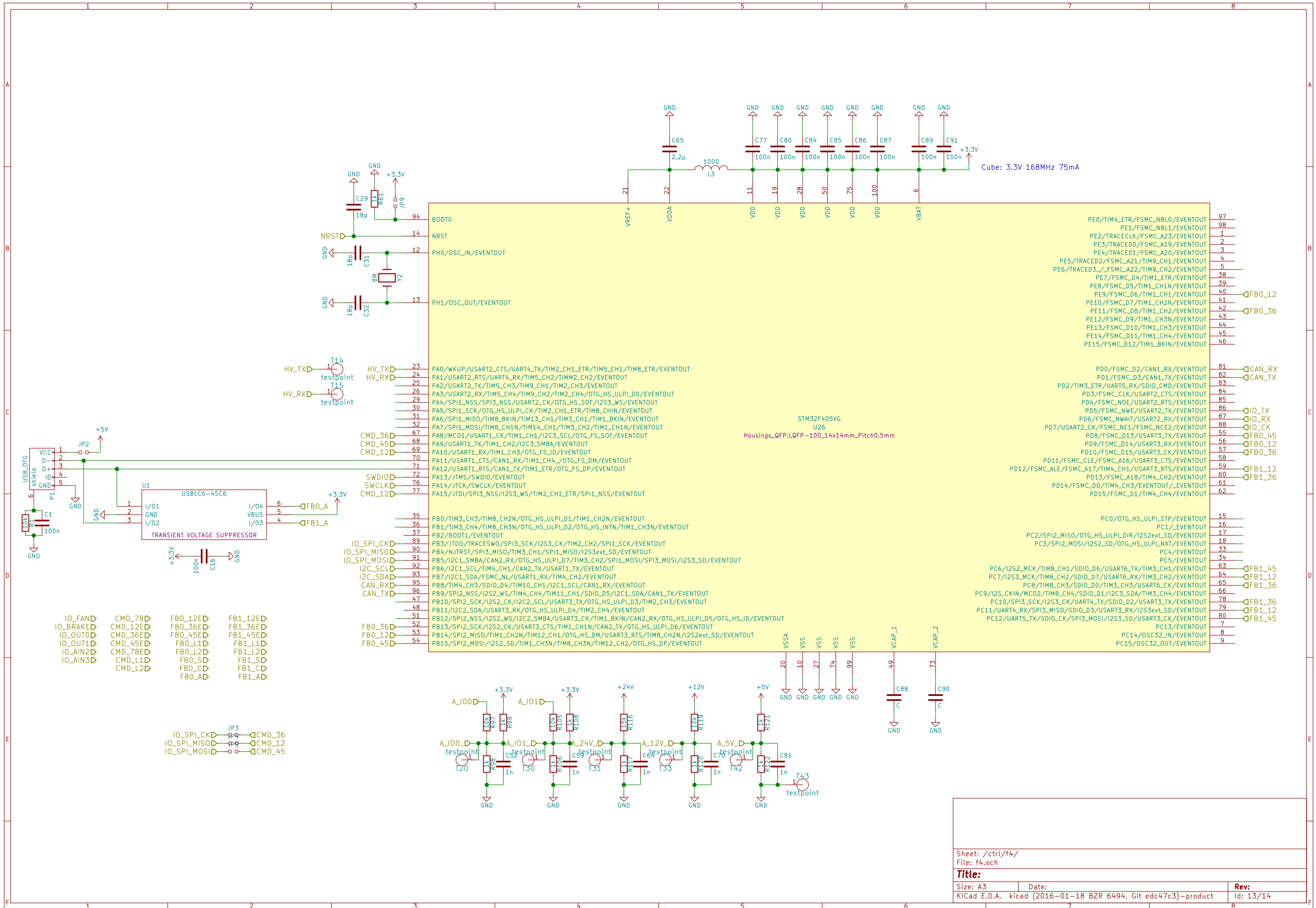
Title:

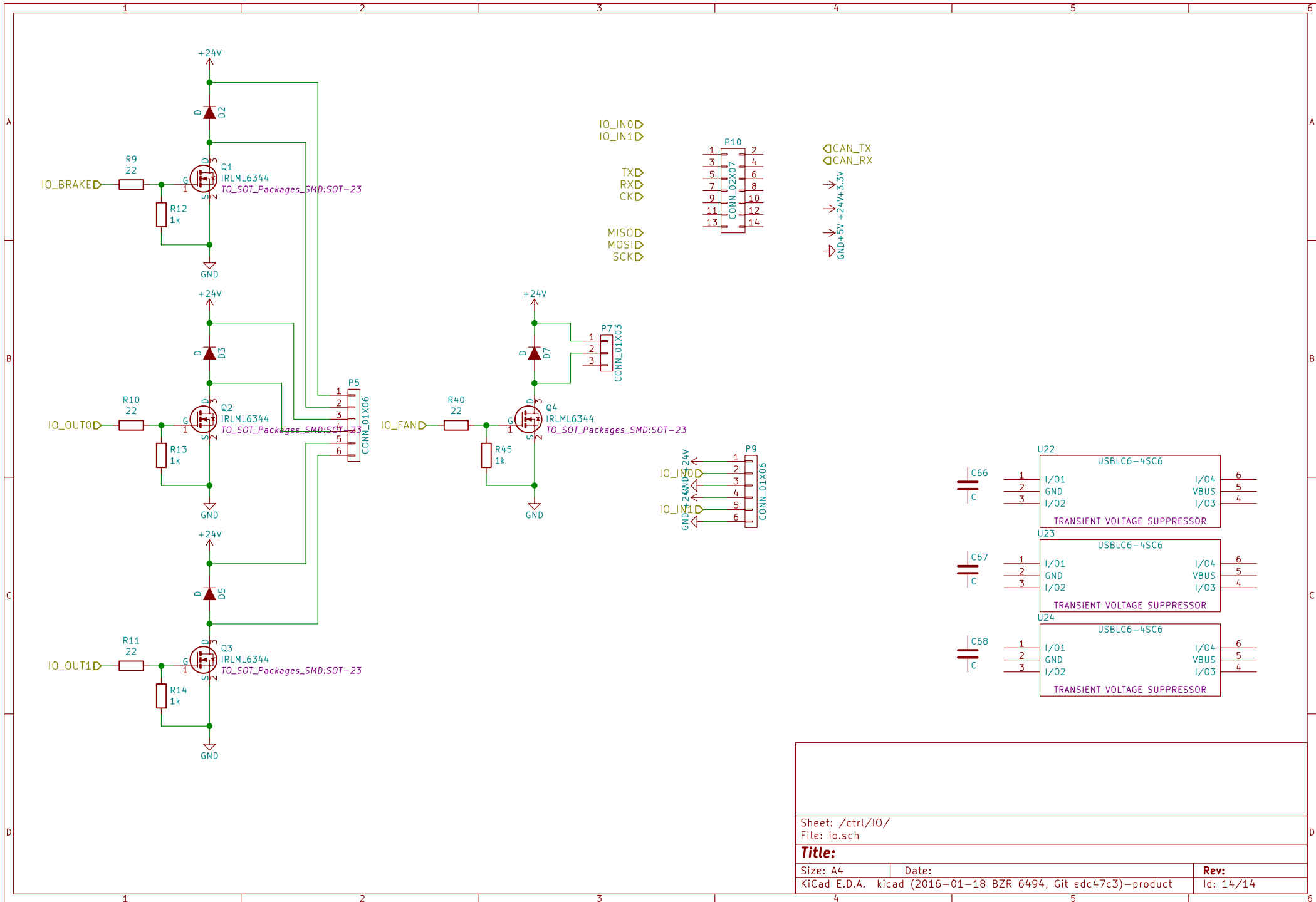
Size: A4 Date:
 KiCad E.D.A. kicad (2016-01-18 BZR 6494, Git edc47c3)-product

Rev:
 Id: 11/14



Sheet: /ctrl/FB1/		File: fb.sch	
Title:			
Size: A4	Date:	Rev:	
KiCad E.D.A. kicad (2016-01-18 BZR 6494, Git edc47c3)-product			Id: 12/14





Sheet: /ctrl/IO/
File: io.sch

Title:

Size: A4 Date:
KiCad E.D.A. kicad (2016-01-18 BZR 6494, Git edc47c3)-product

Rev:
Id: 14/14