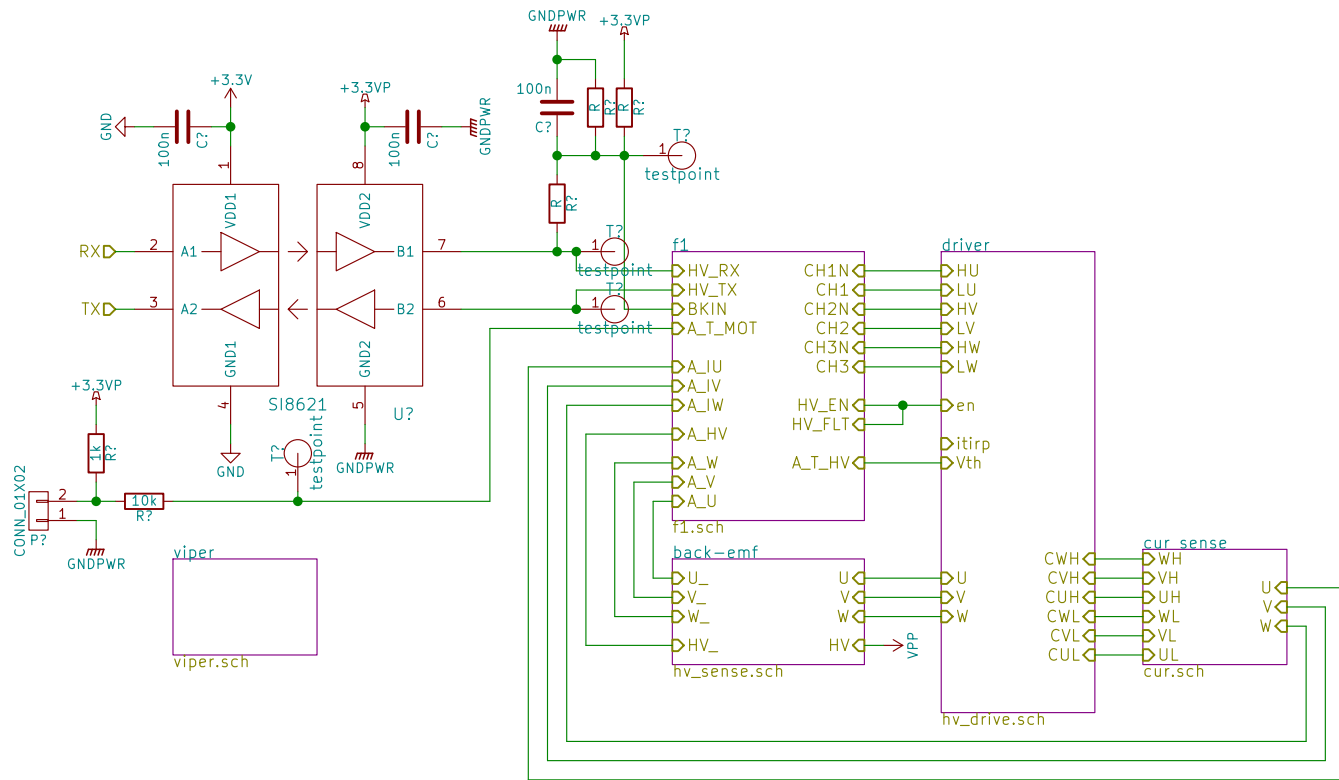


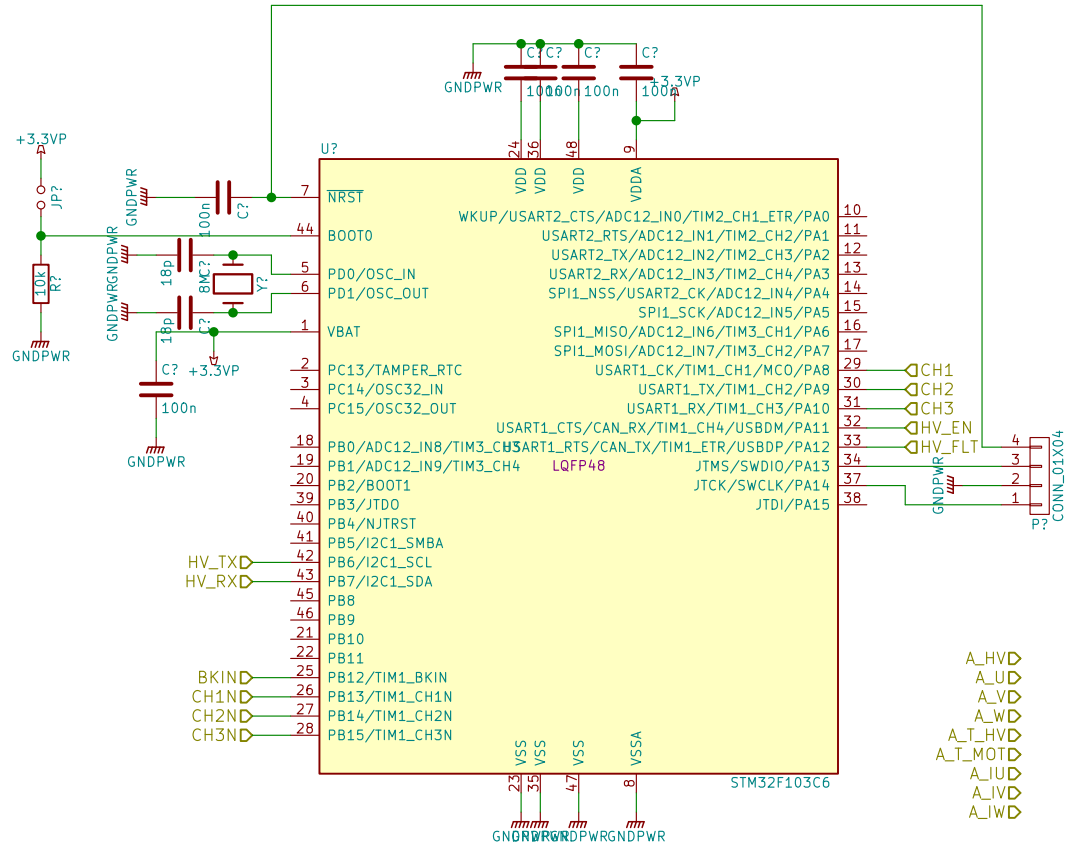
Sheet: /
File: stmbL_3,4.sch

Title:

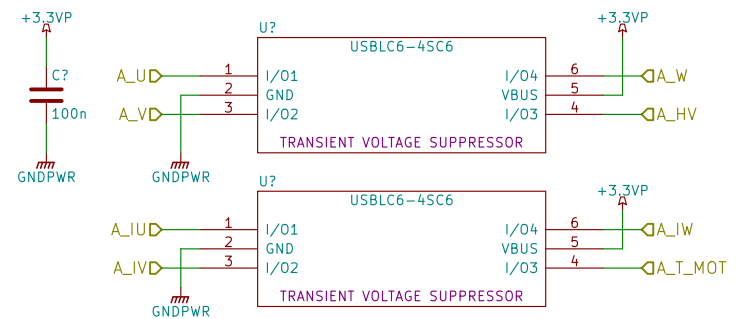
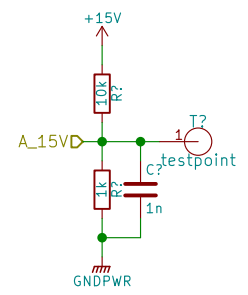
Size: A4 Date:
KiCad E.D.A. kicad 4.0.0-stable

Rev:
Id: 1/15

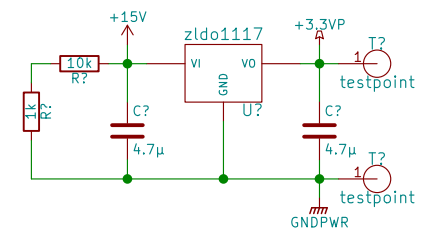
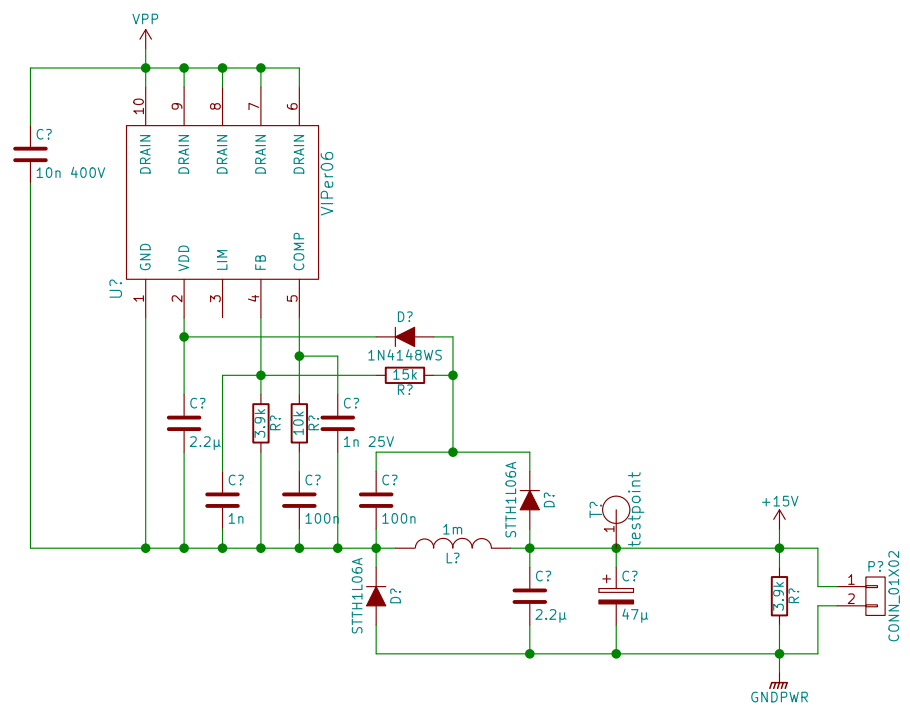




A_HVD
A_UD
A_VD
A_WD
A_T_HVD
A_T_MOTD
A_IUD
A_IVD
A_IWD

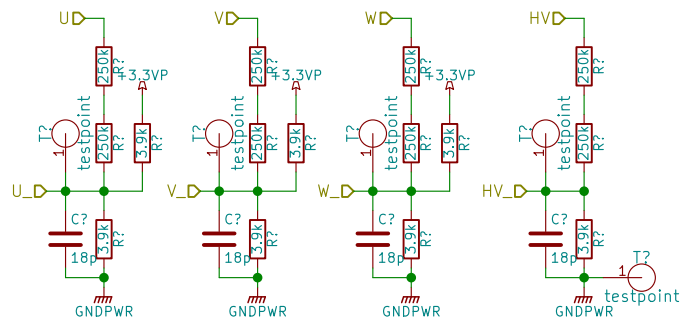


Sheet: /hv/f1/		Date:	
File: f1.sch		Rev:	
Size: A4	KiCad E.D.A. kicad 4.0.0-stable	Id: 3/15	



Sheet: /hv/viper/
File: viper.sch

Title:		Rev:	
Size: A4	Date:		
KiCad E.D.A. kicad 4.0.0-stable		Id: 4/15	



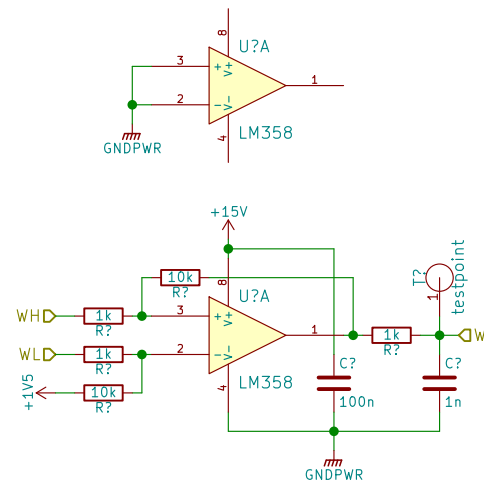
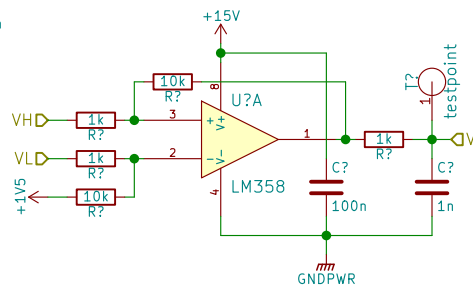
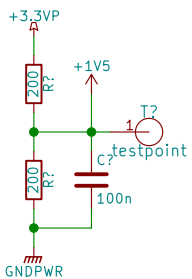
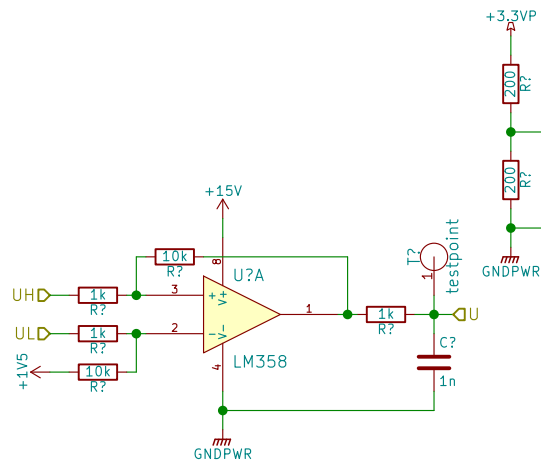
Sheet: /hv/back-emf/
File: hv_sense.sch

Title:

Size: A4
KiCad E.D.A. kicad 4.0.0-stable

Date:

Rev:
Id: 5/15

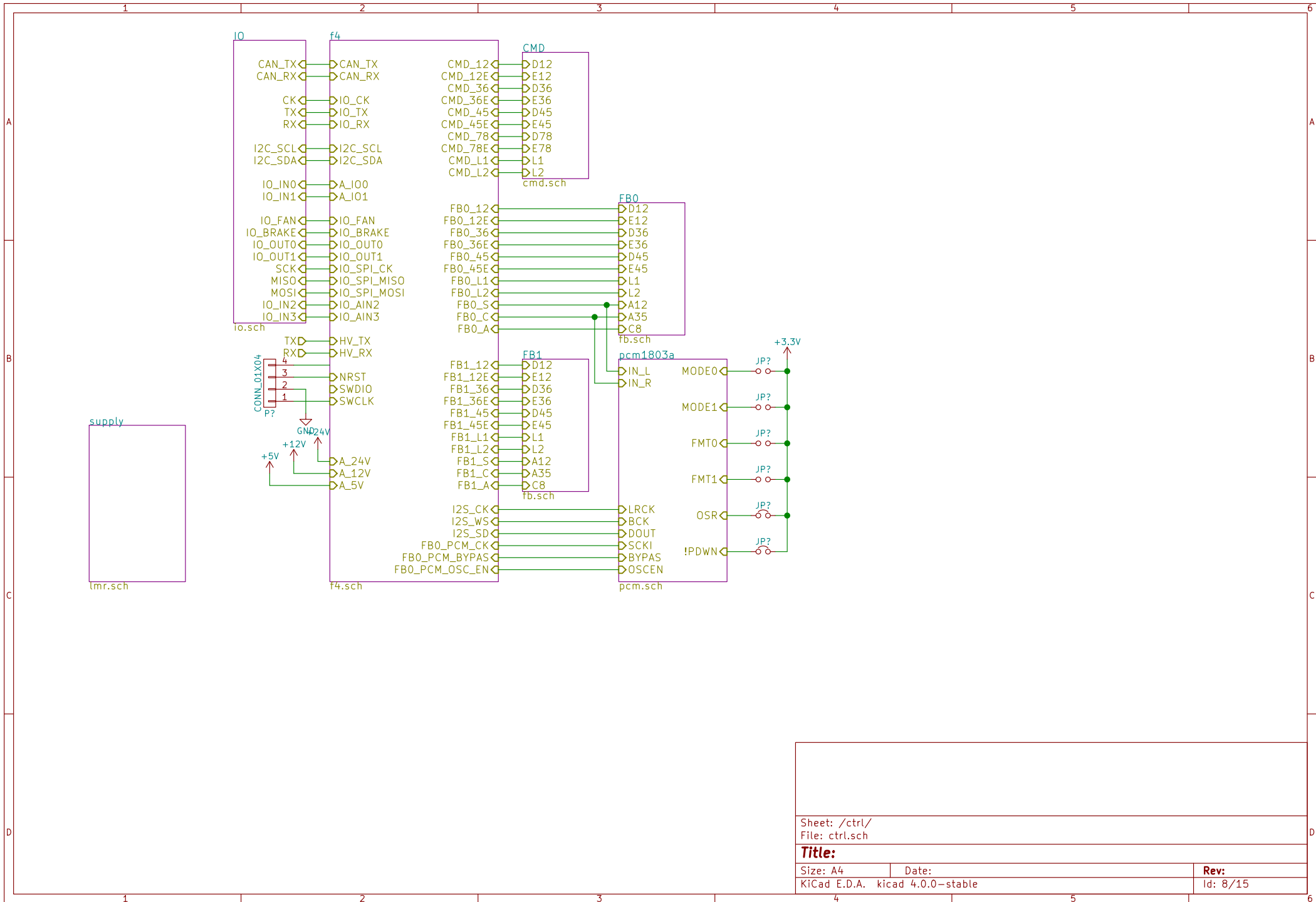


Sheet: /hv/cur sense/
File: cur.sch

Title:

Size: A4 Date:
KiCad E.D.A. kicad 4.0.0-stable

Rev:
Id: 7/15

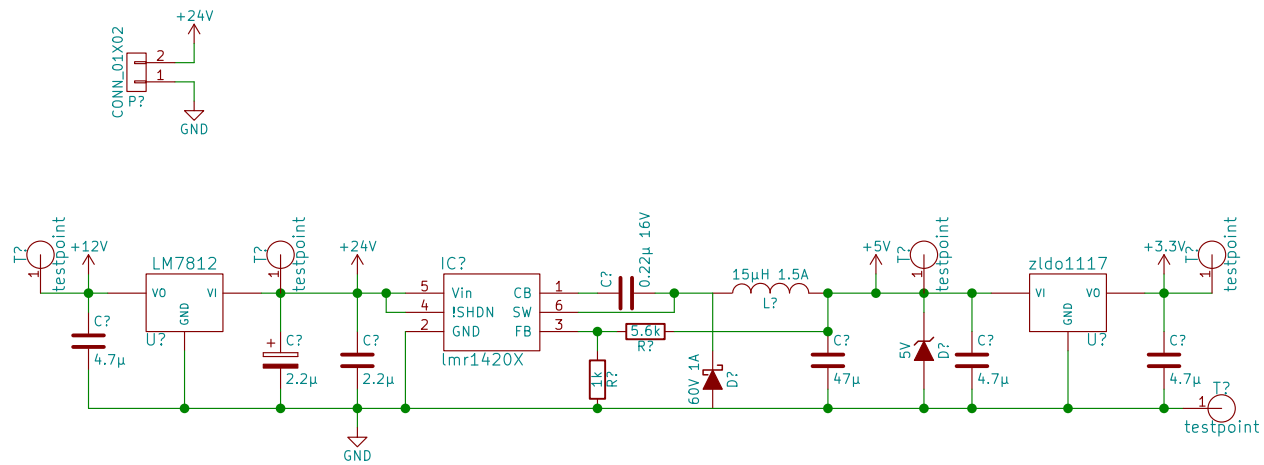


Sheet: /ctrl/
File: ctrl.sch

Title:

Size: A4 Date:
KiCad E.D.A. kicad 4.0.0-stable

Rev:
Id: 8/15

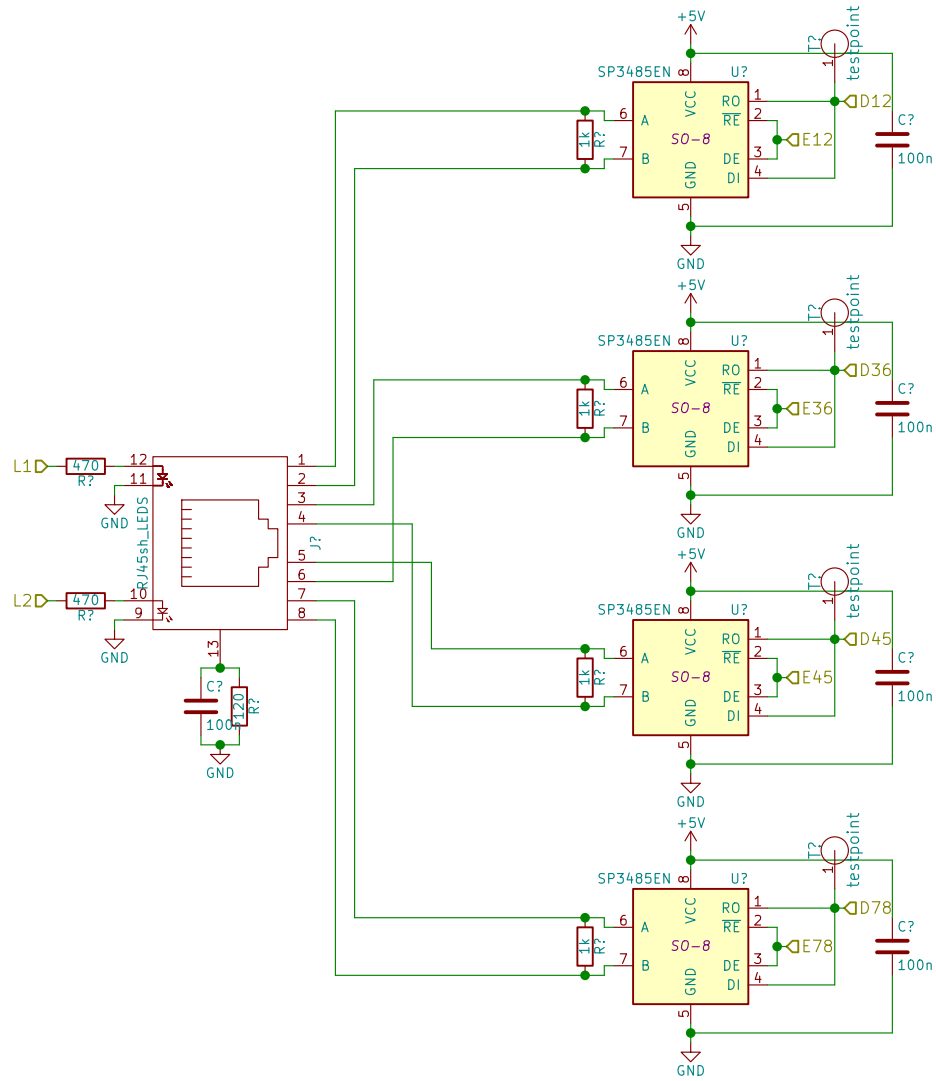


Sheet: /ctrl/supply/
 File: lmr.sch

Title:

Size: A4
 KiCad E.D.A. kicad 4.0.0-stable

Date:
 Rev: 9/15

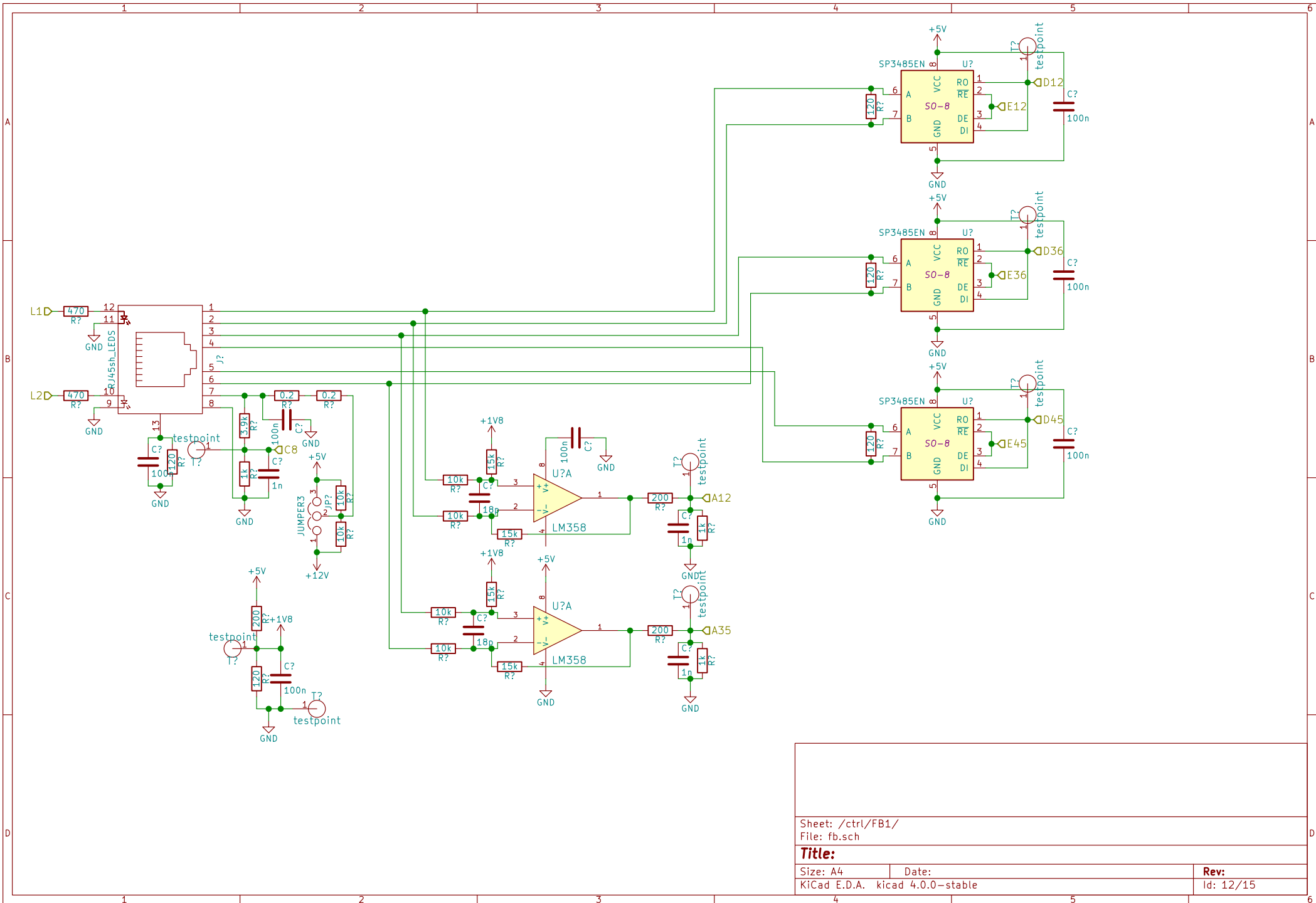


Sheet: /ctrl/CMD/
File: cmd.sch

Title:

Size: A4 Date:
KiCad E.D.A. kicad 4.0.0-stable

Rev:
Id: 10/15



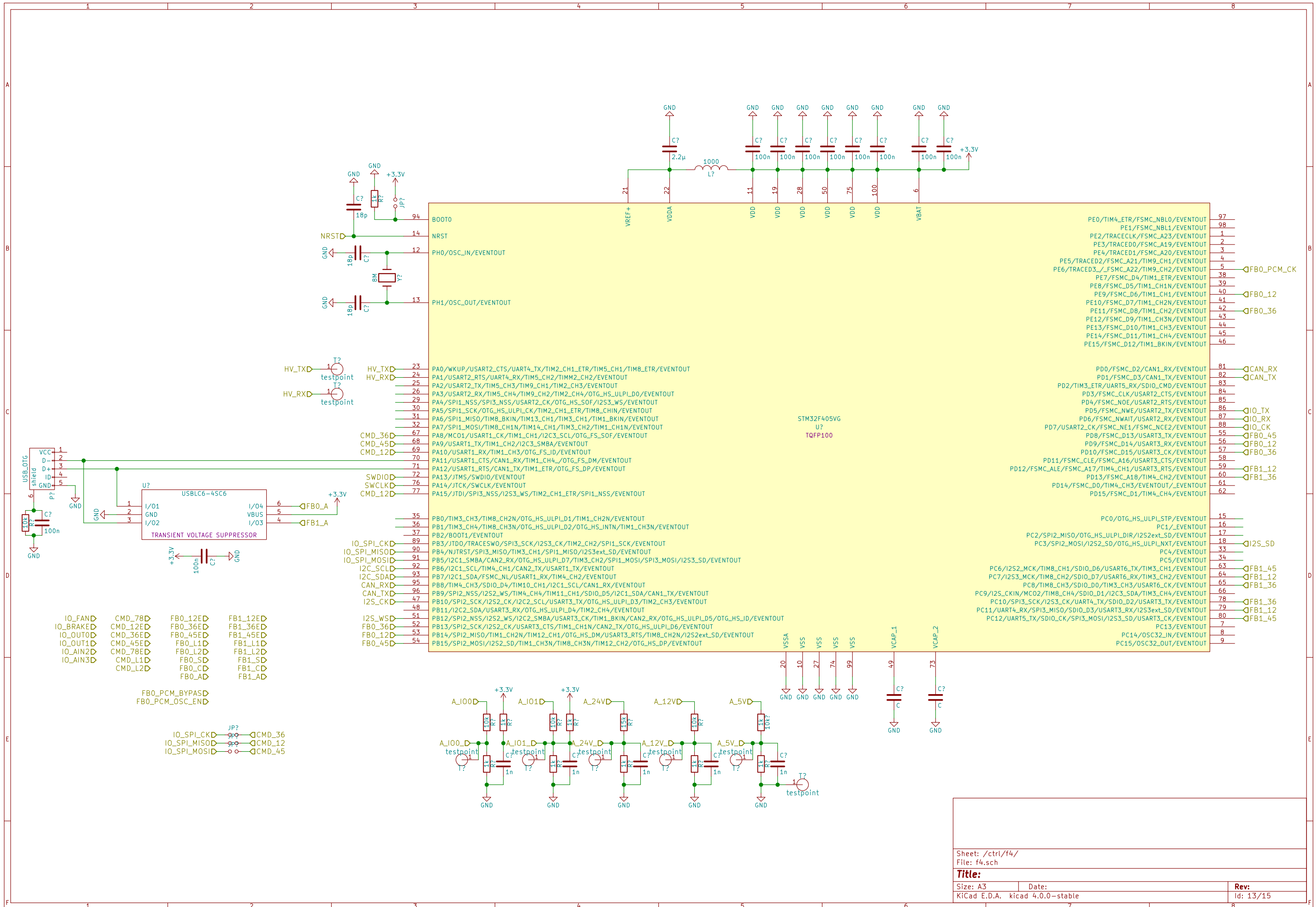
Sheet: /ctrl/FB1/
 File: fb.sch

Title:

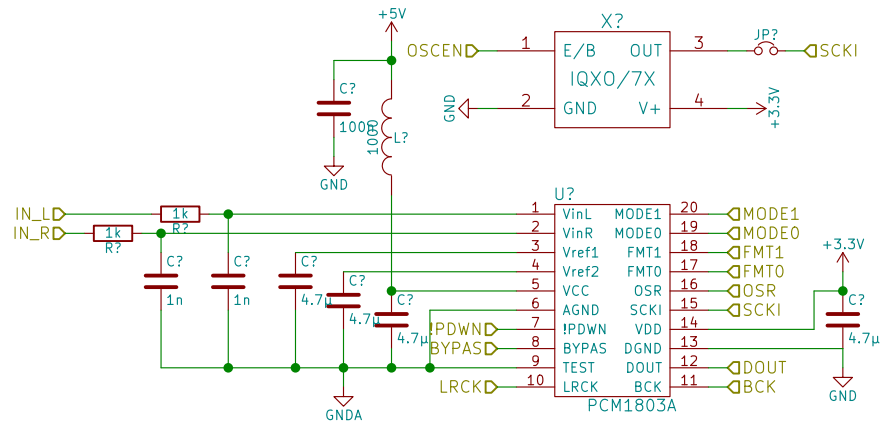
Size: A4
 KiCad E.D.A. kicad 4.0.0-stable

Date:

Rev:
 Id: 12/15



Sheet: /ctrl/f4/		
File: f4.sch		
Title:		
Size: A3	Date:	Rev:
KiCad E.D.A. kicad 4.0.0-stable		Id: 13/15



Sheet: /ctrl/pcm1803a/
 File: pcm.sch

Title:

Size: A4 Date:
 KiCad E.D.A. kicad 4.0.0-stable

Rev:
 Id: 14/15

