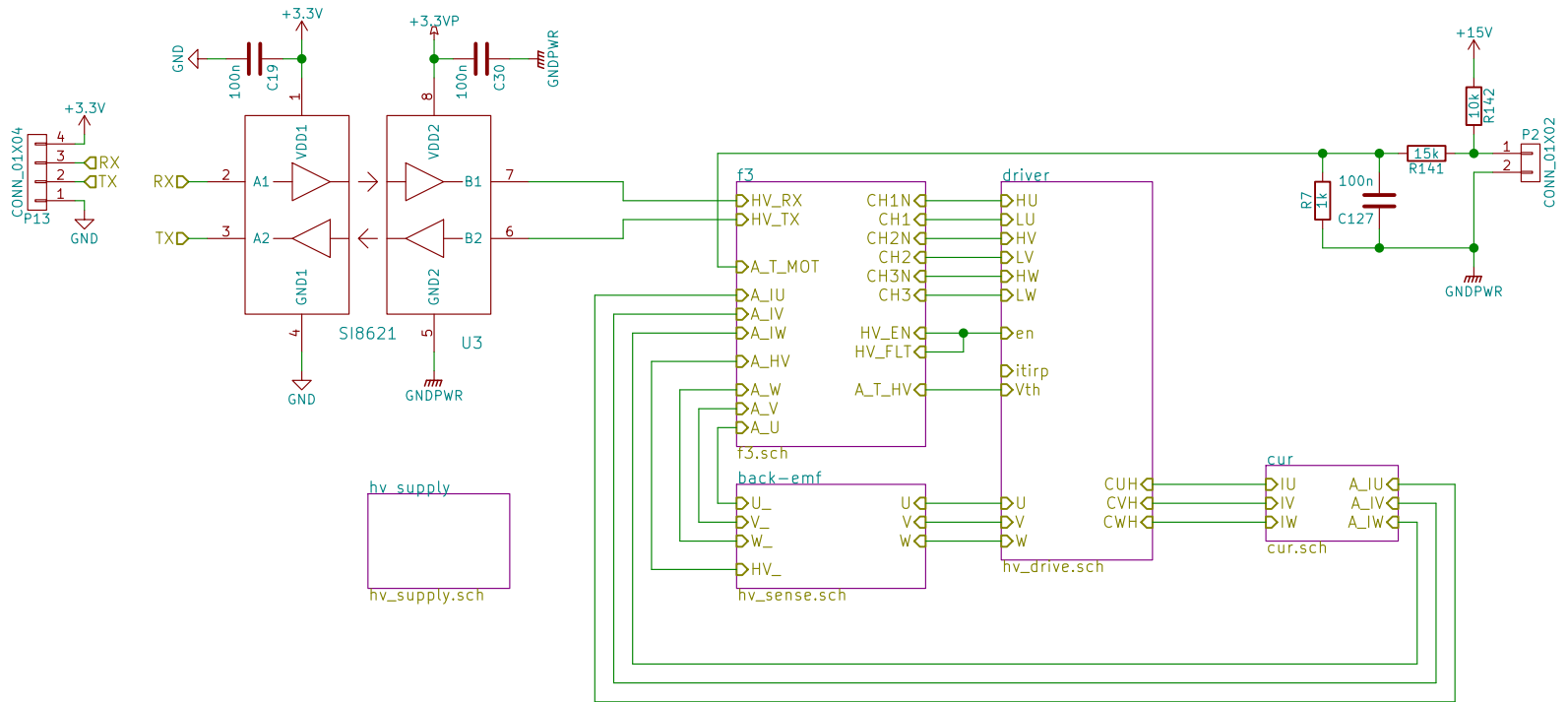


Sheet: /  
File: stmbL\_4.0.sch

**Title:**

Size: A4      Date:  
KiCad E.D.A. kicad (2016-09-11 revision 6dfe58f)-master

**Rev:**  
Id: 1/14

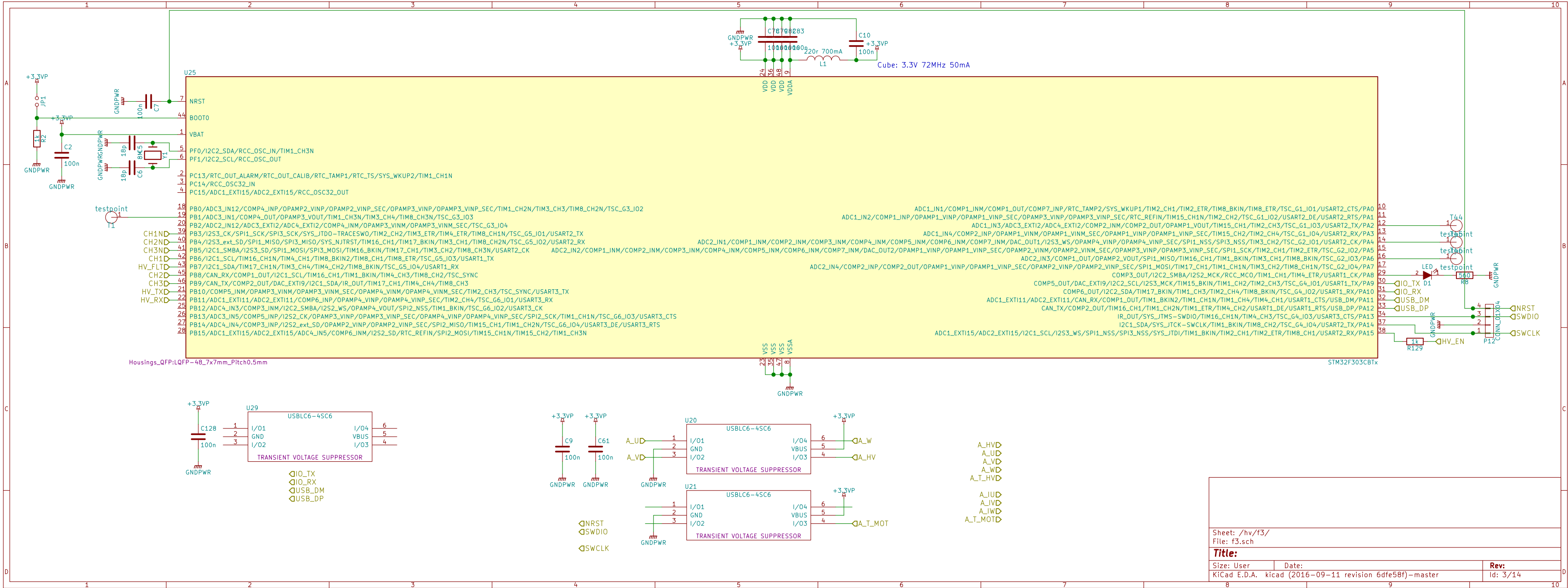


Sheet: /hv/  
File: hv.sch

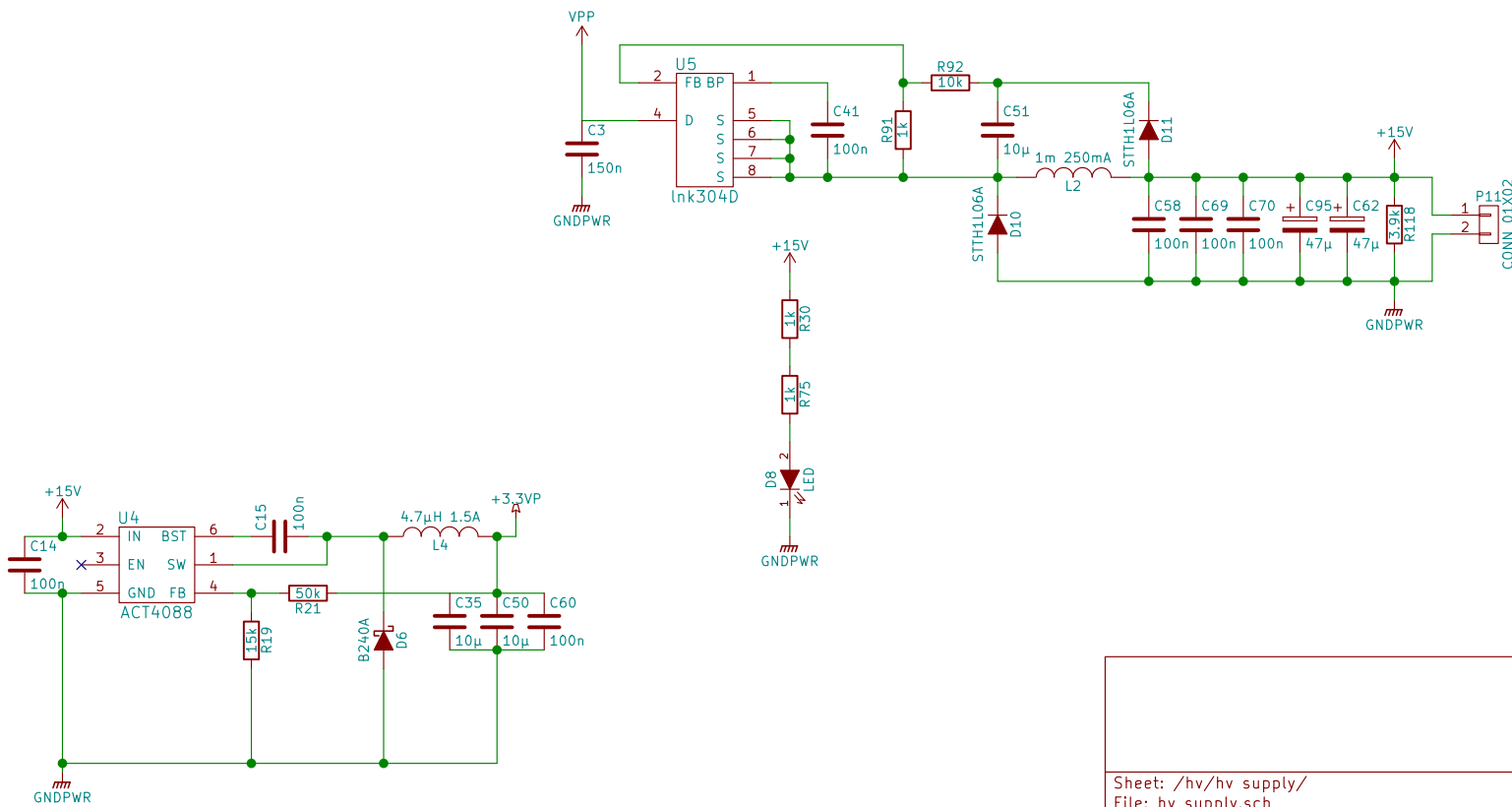
**Title:**

Size: A4 Date:  
KiCad E.D.A. kicad (2016-09-11 revision 6dfe58f)-master

**Rev:**  
Id: 2/14



Sheet: /hv/f3/		
File: f3.sch		
<b>Title:</b>		
Size: User	Date:	Rev:
KiCad E.D.A. kicad (2016-09-11 revision 6dfe58f)-master		Id: 3/14

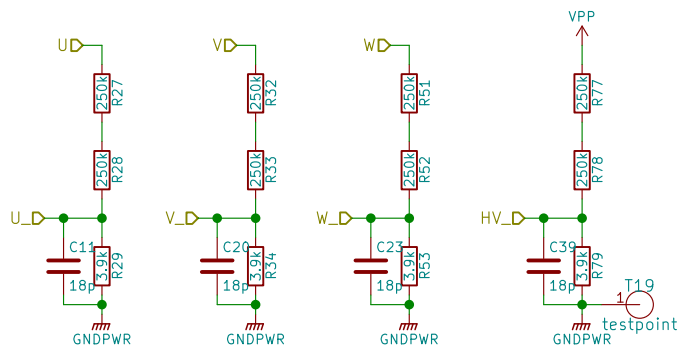


Sheet: /hv/hv supply/  
 File: hv\_supply.sch

**Title:**

Size: A4 Date:  
 KiCad E.D.A. kicad (2016-09-11 revision 6dfe58f)-master

**Rev:**  
 Id: 4/14



Sheet: /hv/back-emf/  
File: hv\_sense.sch

**Title:**

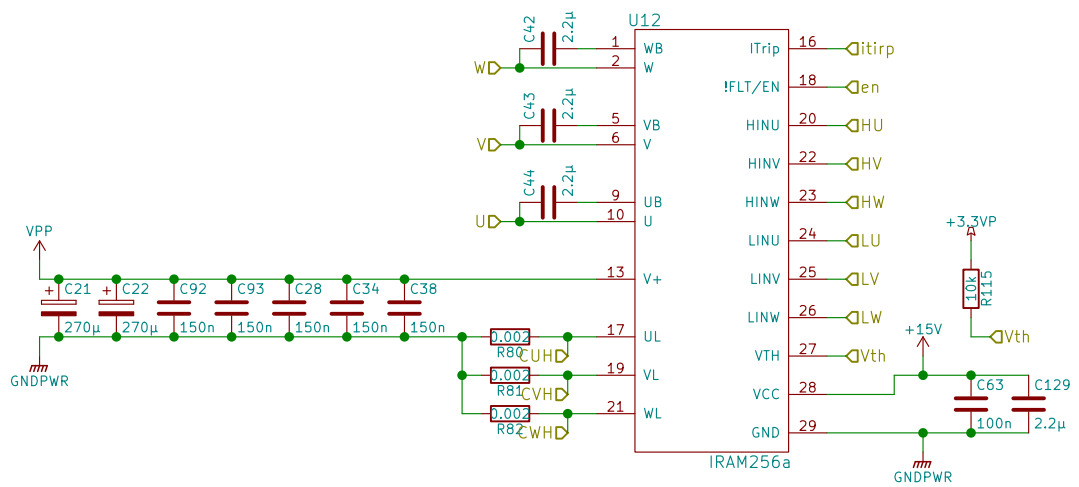
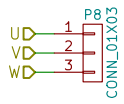
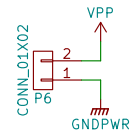
Size: A4

Date:

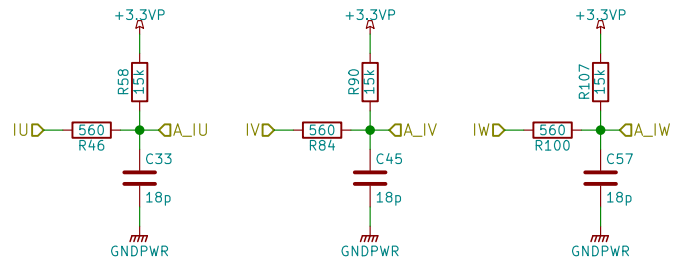
**Rev:**

KiCad E.D.A. kicad (2016-09-11 revision 6dfe58f)-master

Id: 5/14



Sheet: /hv/driver/		
File: hv_drive.sch		
<b>Title:</b>		
Size: A4	Date:	Rev:
KiCad E.D.A. kicad (2016-09-11 revision 6dfe58f)-master		Id: 6/14

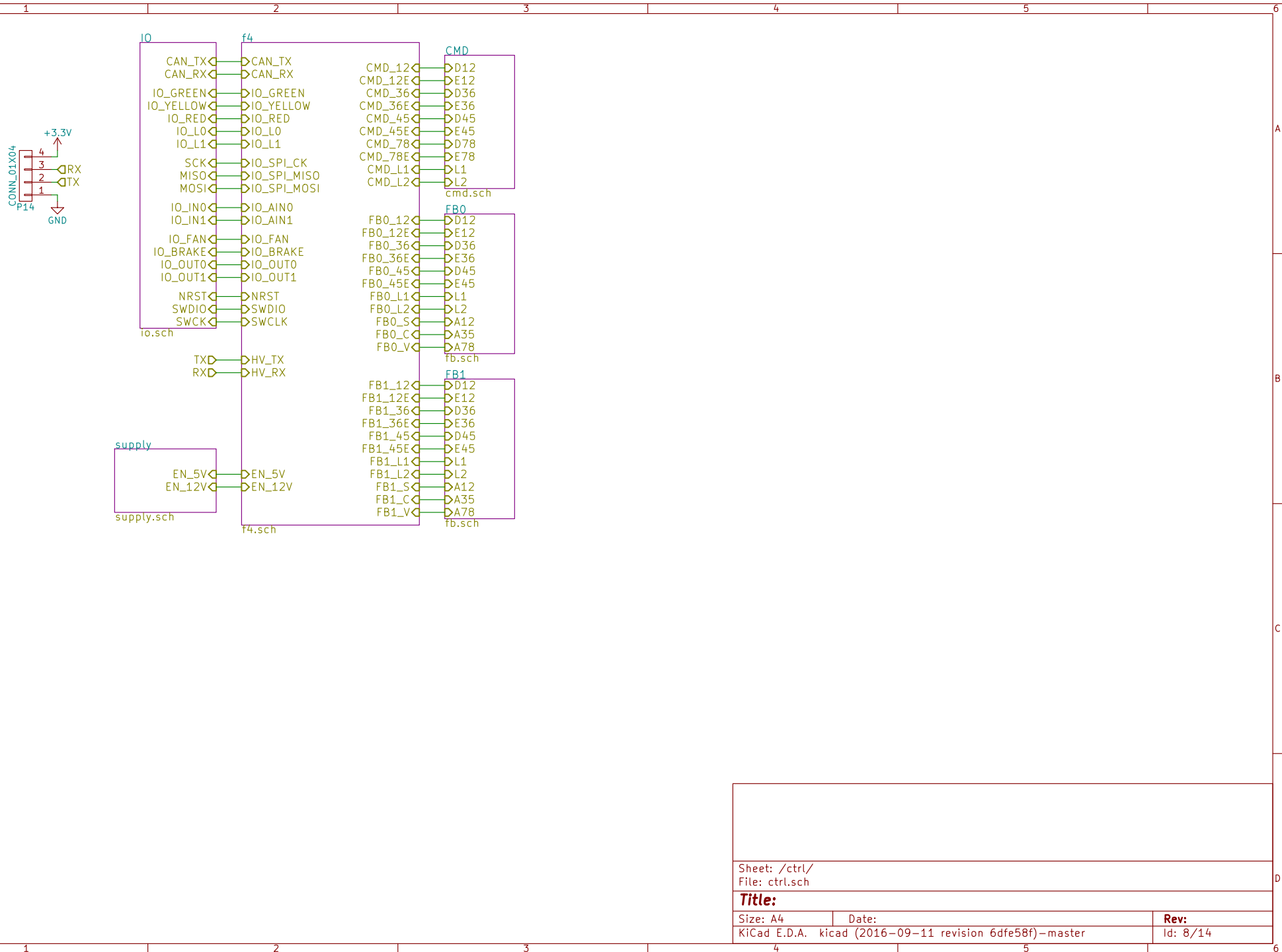


Sheet: /hv/cur/  
 File: cur.sch

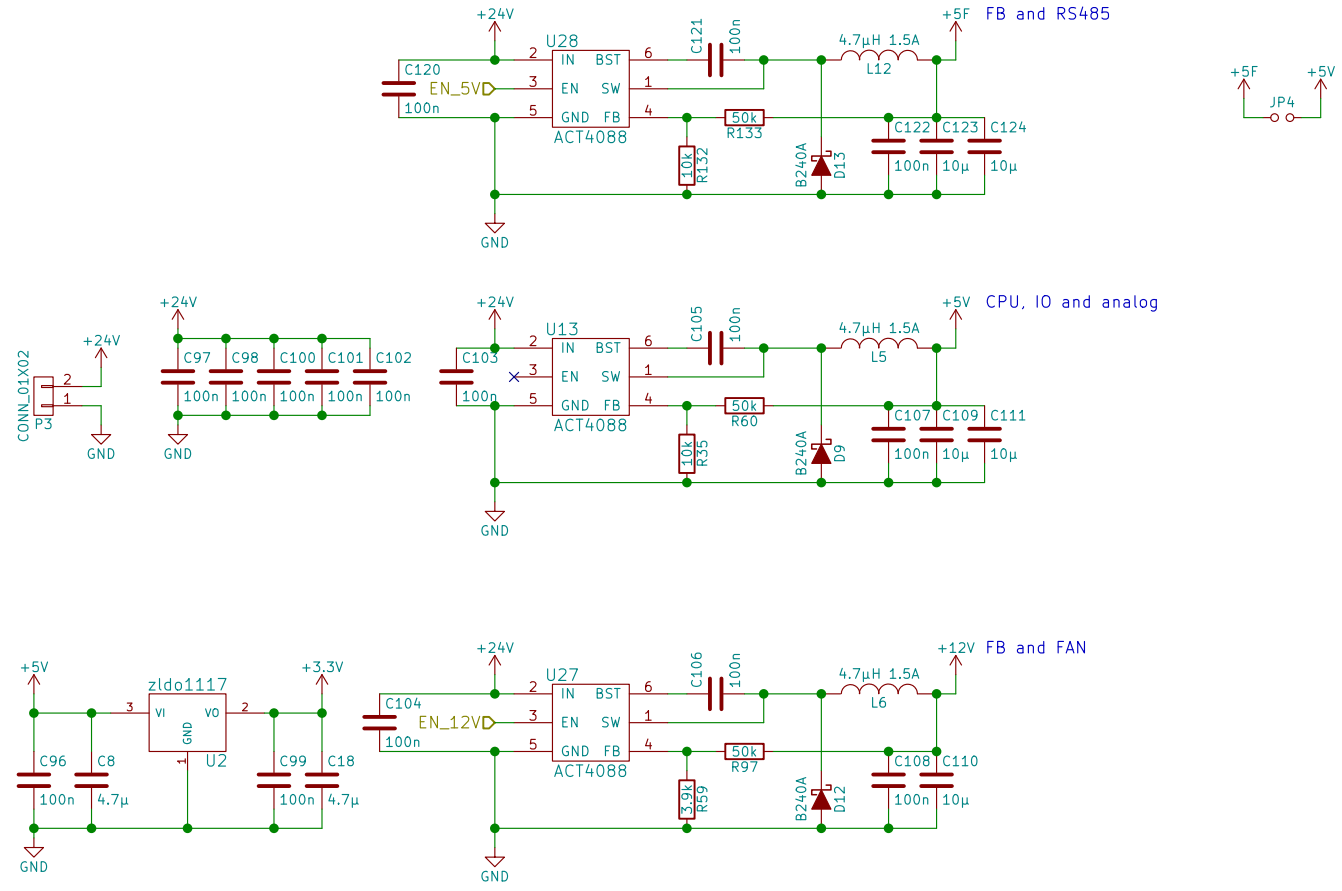
**Title:**

Size: A4 Date:  
 KiCad E.D.A. kicad (2016-09-11 revision 6dfe58f)-master

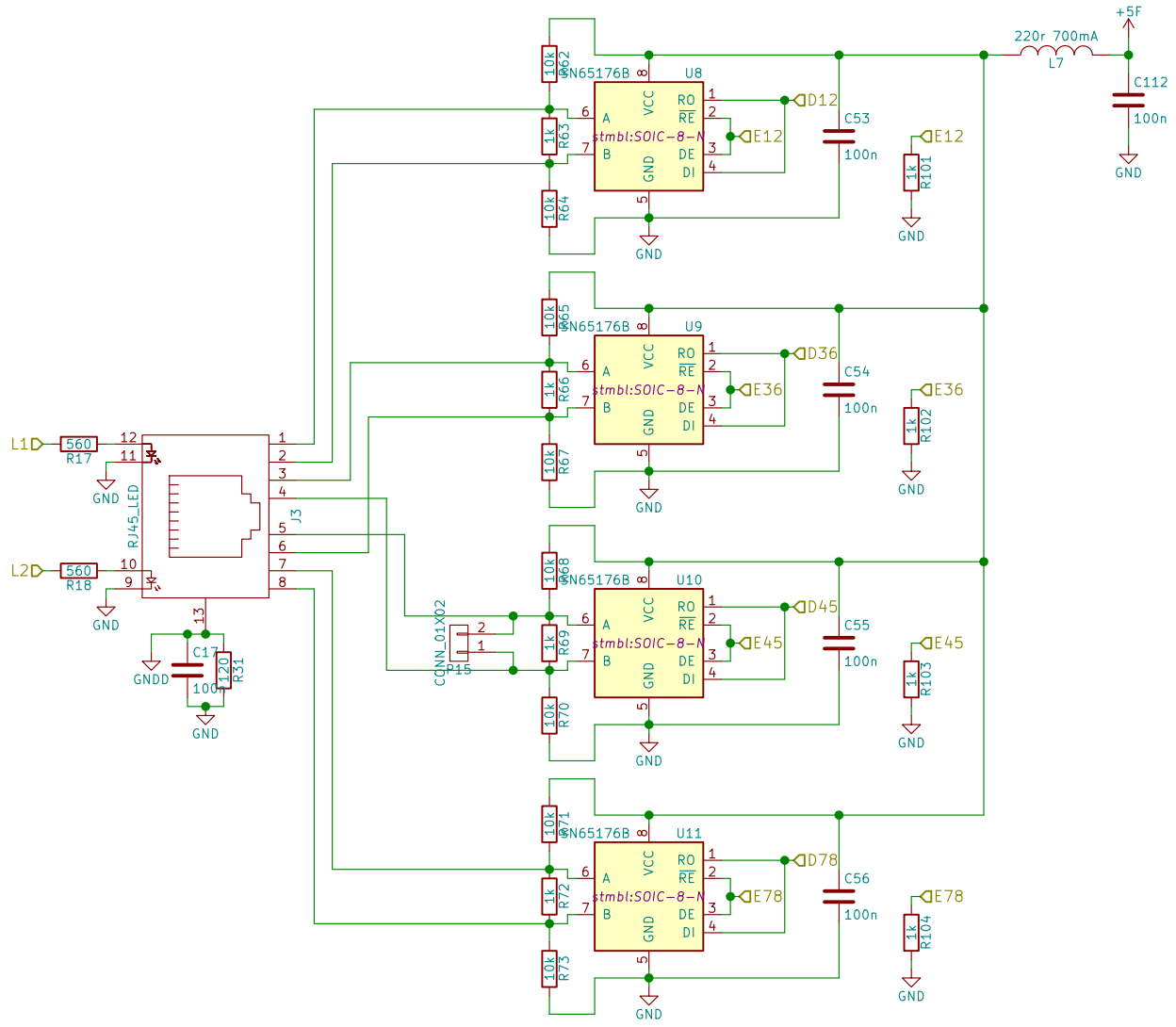
**Rev:**  
 Id: 7/14







Sheet: /ctrl/supply/ File: supply.sch		
<b>Title:</b>		
Size: A4	Date:	Rev:
KiCad E.D.A. kicad (2016-09-11 revision 6dfe58f)-master		Id: 9/14

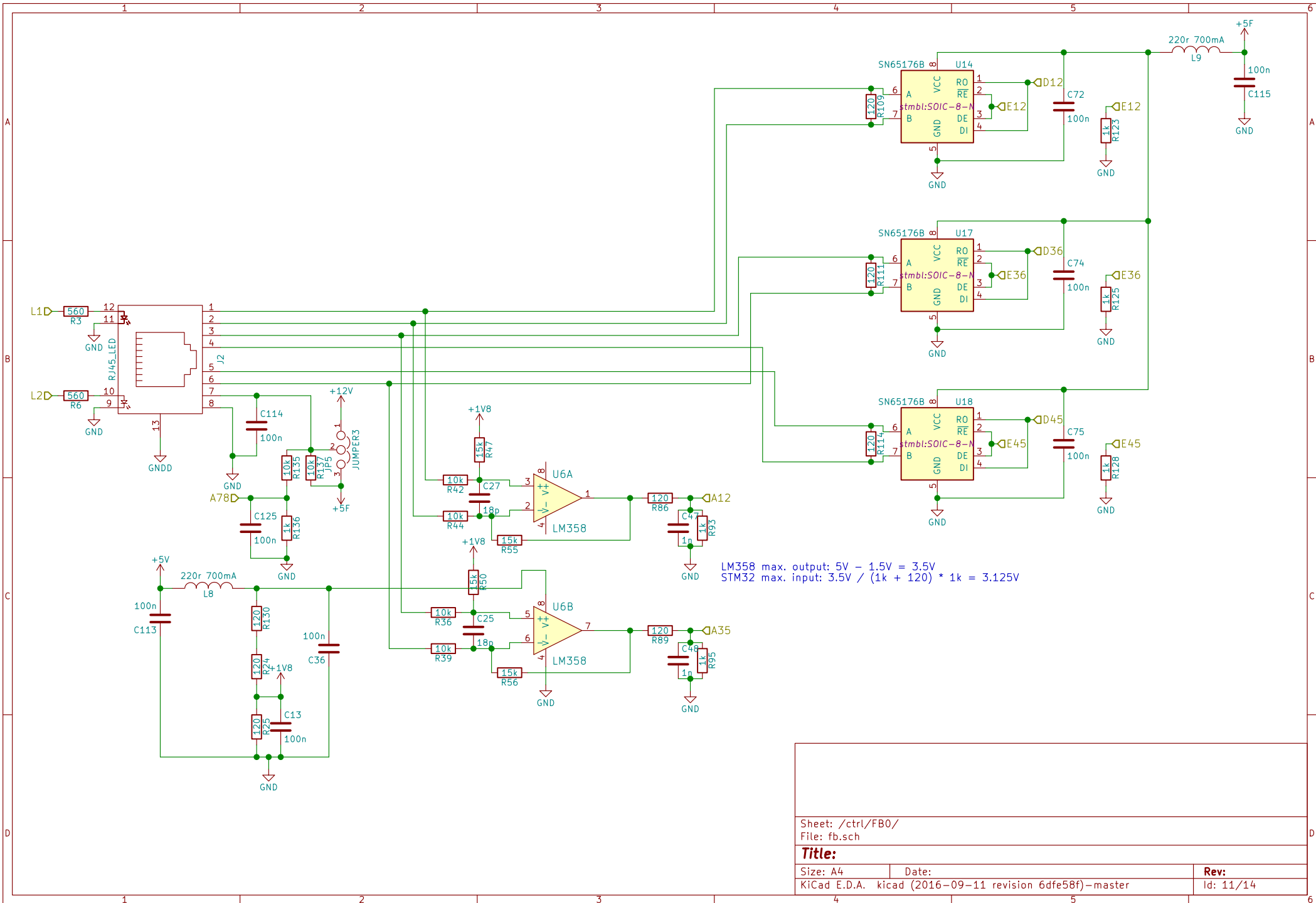


Sheet: /ctrl/CMD/  
 File: cmd.sch

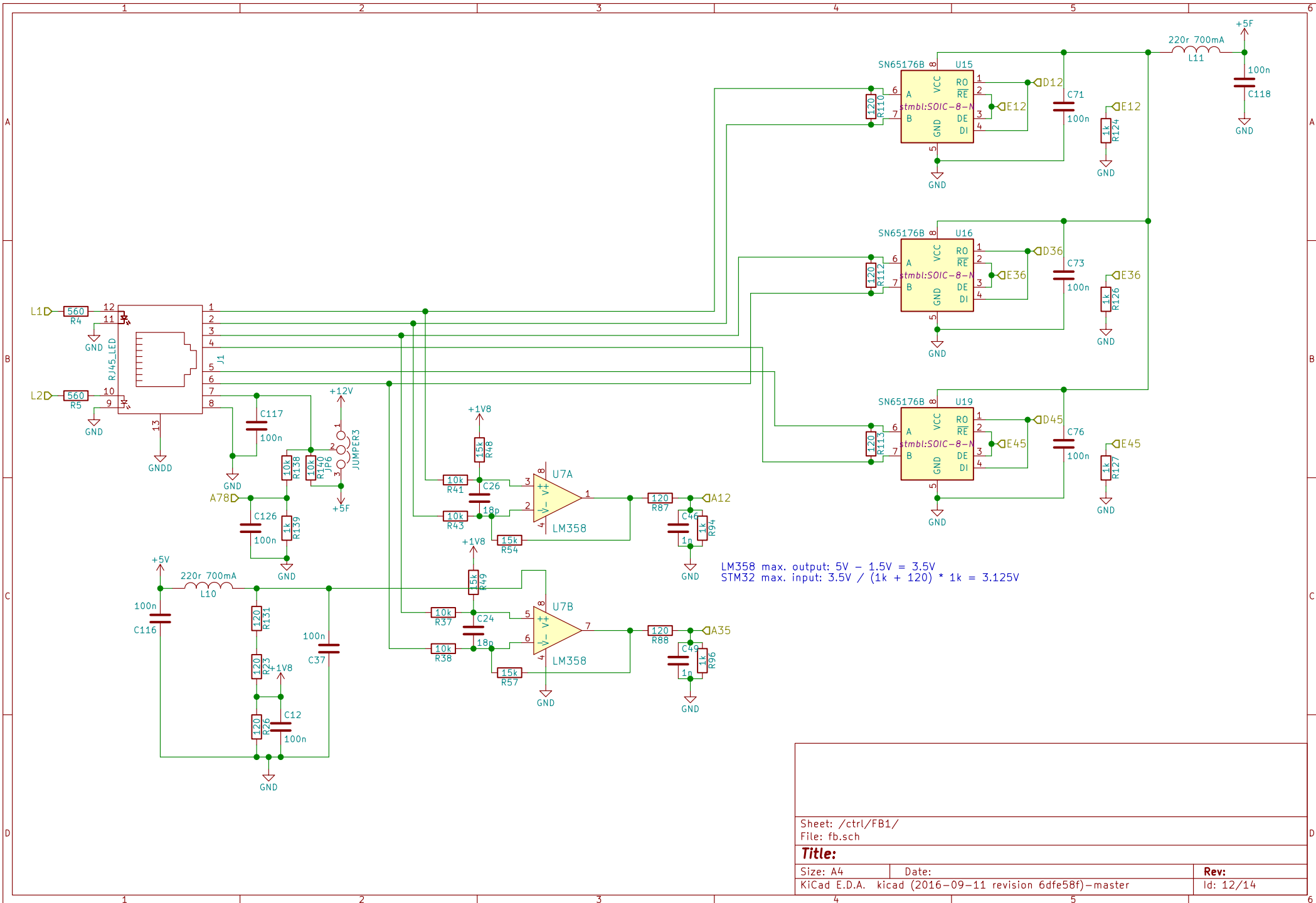
**Title:**

Size: A4 Date:  
 KiCad E.D.A. kicad (2016-09-11 revision 6dfe58f)-master

Rev:  
 Id: 10/14



Sheet: /ctrl/FB0/		File: fb.sch	
<b>Title:</b>			
Size: A4	Date:	Rev:	
KiCad E.D.A. kicad (2016-09-11 revision 6dfe58f)-master		Id: 11/14	



Sheet: /ctrl/FB1/  
 File: fb.sch

**Title:**

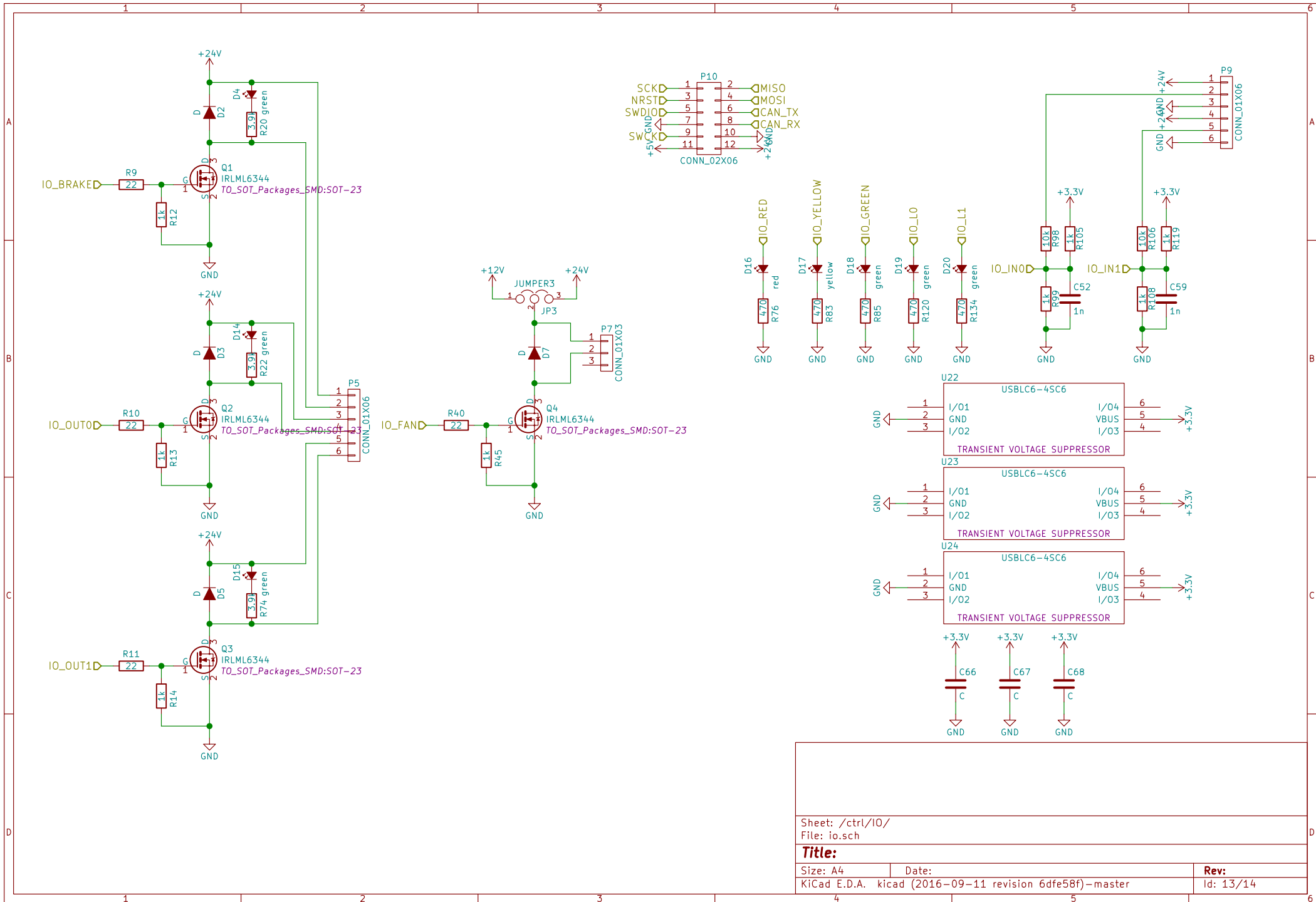
Size: A4

Date:

KiCad E.D.A. kicad (2016-09-11 revision 6dfe58f)-master

Rev:

Id: 12/14

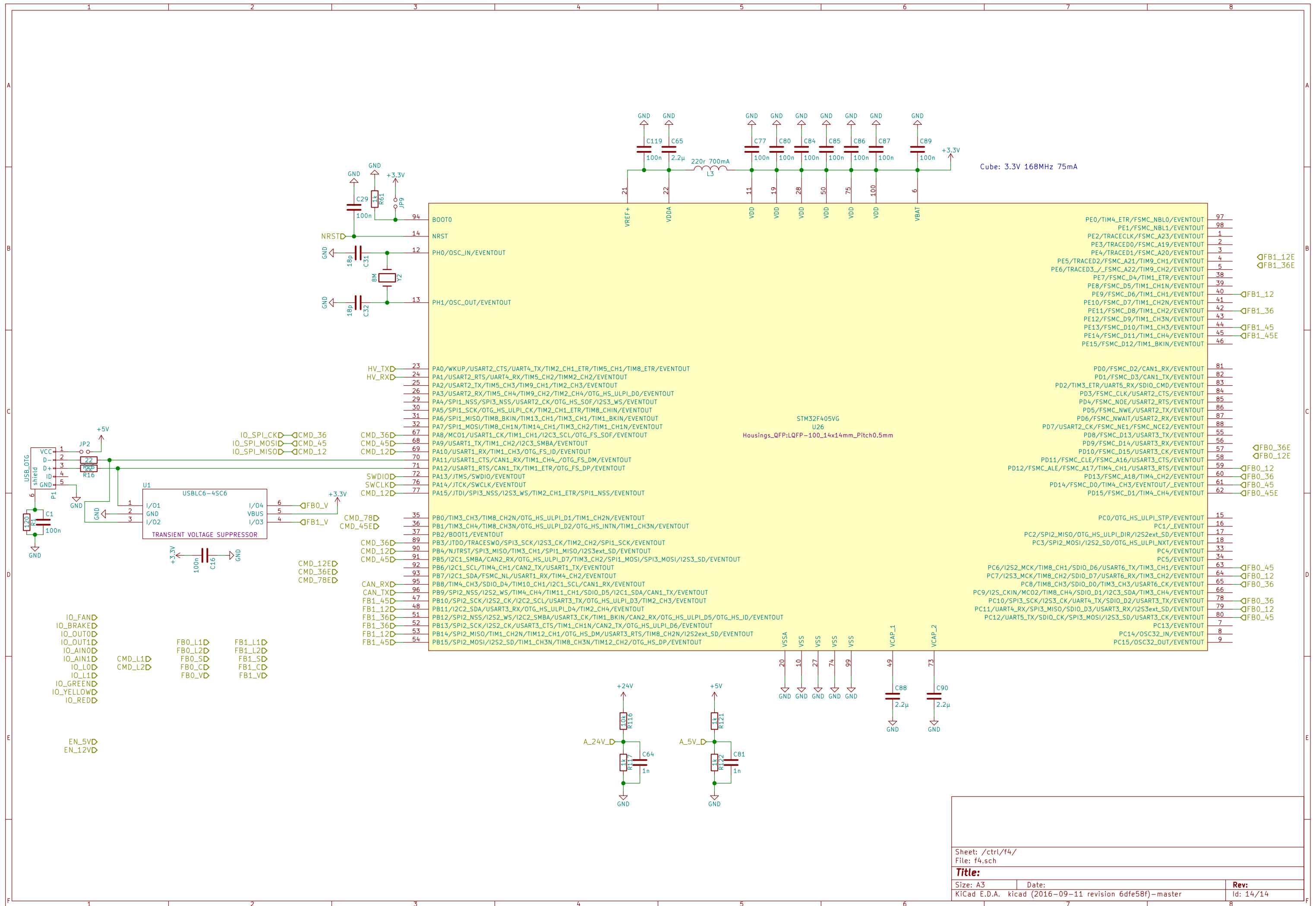


Sheet: /ctrl/IO/  
File: io.sch

**Title:**

Size: A4 Date:   
KiCad E.D.A. kicad (2016-09-11 revision 6dfe58f)-master

**Rev:**   
Id: 13/14



Cube: 3.3V 168MHz 75mA

STM32F405VG  
U26  
Housings\_QFP:LQFP-100\_14x14mm\_Pitch0.5mm

97	PE0/TIM4_ETR/FSMC_NBL0/EVENTOUT	
98	PE1/FSMC_NBL1/EVENTOUT	
1	PE2/TRACED0/FSMC_A23/EVENTOUT	
2	PE3/TRACED0/FSMC_A19/EVENTOUT	
3	PE4/TRACED1/FSMC_A20/EVENTOUT	
4	PE5/TRACED2/FSMC_A21/TIM9_CH1/EVENTOUT	FB1_12E
5	PE6/TRACED3/_FSMC_A22/TIM9_CH2/EVENTOUT	FB1_36E
38	PE7/FSMC_D4/TIM1_ETR/EVENTOUT	
39	PE8/FSMC_D5/TIM1_CH1N/EVENTOUT	
40	PE9/FSMC_D6/TIM1_CH1/EVENTOUT	FB1_12
41	PE10/FSMC_D7/TIM1_CH2N/EVENTOUT	
42	PE11/FSMC_D8/TIM1_CH2/EVENTOUT	FB1_36
43	PE12/FSMC_D9/TIM1_CH3N/EVENTOUT	
44	PE13/FSMC_D10/TIM1_CH3/EVENTOUT	FB1_45
45	PE14/FSMC_D11/TIM1_CH4/EVENTOUT	FB1_45E
46	PE15/FSMC_D12/TIM1_BKIN/EVENTOUT	
81	PD0/FSMC_D2/CAN1_RX/EVENTOUT	
82	PD1/FSMC_D3/CAN1_TX/EVENTOUT	
83	PD2/TIM3_ETR/UART5_RX/SDIO_CMD/EVENTOUT	
84	PD3/FSMC_CLK/USART2_CTS/EVENTOUT	
85	PD4/FSMC_NOE/USART2_RTS/EVENTOUT	
86	PD5/FSMC_NWE/USART2_TX/EVENTOUT	
87	PD6/FSMC_NWAIT/USART2_RX/EVENTOUT	
88	PD7/USART2_CK/FSMC_NE1/FSMC_NCE2/EVENTOUT	
55	PD8/FSMC_D13/USART3_TX/EVENTOUT	
56	PD9/FSMC_D14/USART3_RX/EVENTOUT	
57	PD10/FSMC_D15/USART3_CK/EVENTOUT	FB0_36E
58	PD11/FSMC_CLE/FSMC_A16/USART3_CTS/EVENTOUT	FB0_12E
59	PD12/FSMC_ALE/FSMC_A17/TIM4_CH1/USART3_RTS/EVENTOUT	FB0_12
60	PD13/FSMC_A18/TIM4_CH2/EVENTOUT	FB0_36
61	PD14/FSMC_D0/TIM4_CH3/EVENTOUT/_EVENTOUT	FB0_45
62	PD15/FSMC_D1/TIM4_CH4/EVENTOUT	FB0_45E
15	PC0/OTG_HS_ULPI_STP/EVENTOUT	
16	PC1/_EVENTOUT	
17	PC2/SPI2_MISO/OTG_HS_ULPI_DIR/I2S2ext_SD/EVENTOUT	
18	PC3/SPI2_MOSI/I2S2_SD/OTG_HS_ULPI_NXT/EVENTOUT	
33	PC4/EVENTOUT	
34	PC5/EVENTOUT	
63	PC6/I2S2_MCK/TIM8_CH1/SDIO_D6/USART6_TX/TIM3_CH1/EVENTOUT	FB0_45
64	PC7/I2S3_MCK/TIM8_CH2/SDIO_D7/USART6_RX/TIM3_CH2/EVENTOUT	FB0_12
65	PC8/TIM8_CH3/SDIO_D0/TIM3_CH3/USART6_CK/EVENTOUT	FB0_36
66	PC9/I2S_CKIN/MCO2/TIM8_CH4/SDIO_D1/I2C3_SDA/TIM3_CH4/EVENTOUT	
78	PC10/SPI3_SCK/I2S3_CK/UART4_TX/SDIO_D2/USART3_TX/EVENTOUT	FB0_36
79	PC11/UART4_RX/SPI3_MISO/SDIO_D3/USART3_RX/I2S3ext_SD/EVENTOUT	FB0_12
80	PC12/UART5_TX/SDIO_CK/SPI3_MOSI/I2S3_SD/USART3_CK/EVENTOUT	FB0_45
7	PC13/EVENTOUT	
8	PC14/OSC32_IN/EVENTOUT	
9	PC15/OSC32_OUT/EVENTOUT	