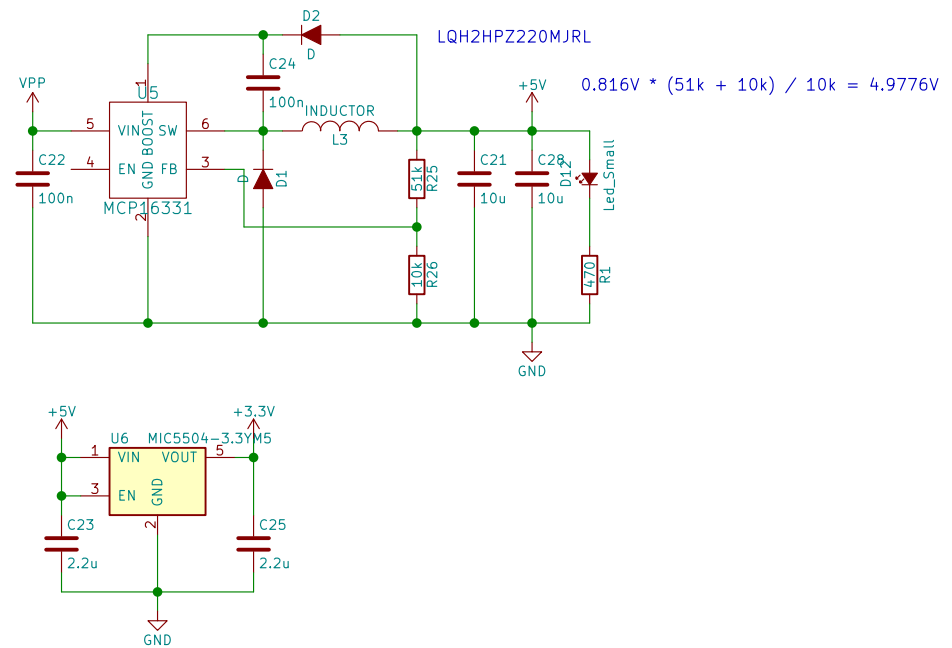


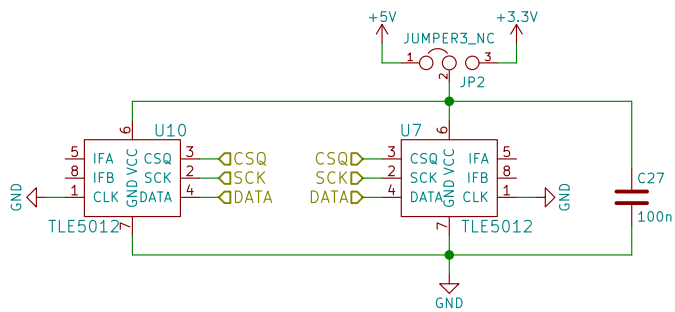
$$3.3V / 1k * (10k + 10k + 1k) = 69.3V$$

att.: 470:15k

Sheet: /drv/		Date:	
File: drv.sch		Rev:	
Size: A4	KiCad E.D.A. kicad (2017-04-07 revision 70c961f)-master		Id: 2/10



Sheet: /supply/	
File: supply.sch	
Title:	
Size: A4	Date:
KiCad E.D.A. kicad (2017-04-07 revision 70c961f)-master	Rev:
	Id: 3/10

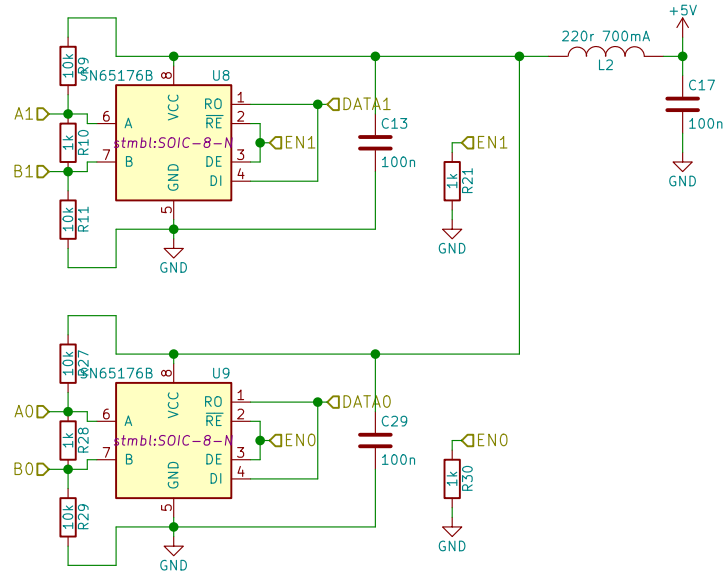


Sheet: /sensor/
 File: sensor.sch

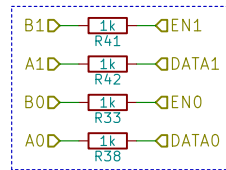
Title:

Size: A4 Date:
 KiCad E.D.A. kicad (2017-04-07 revision 70c961f)-master

Rev:
 Id: 4/10



Do not mount!



Sheet: /cmd/
File: cmd.sch

Title:

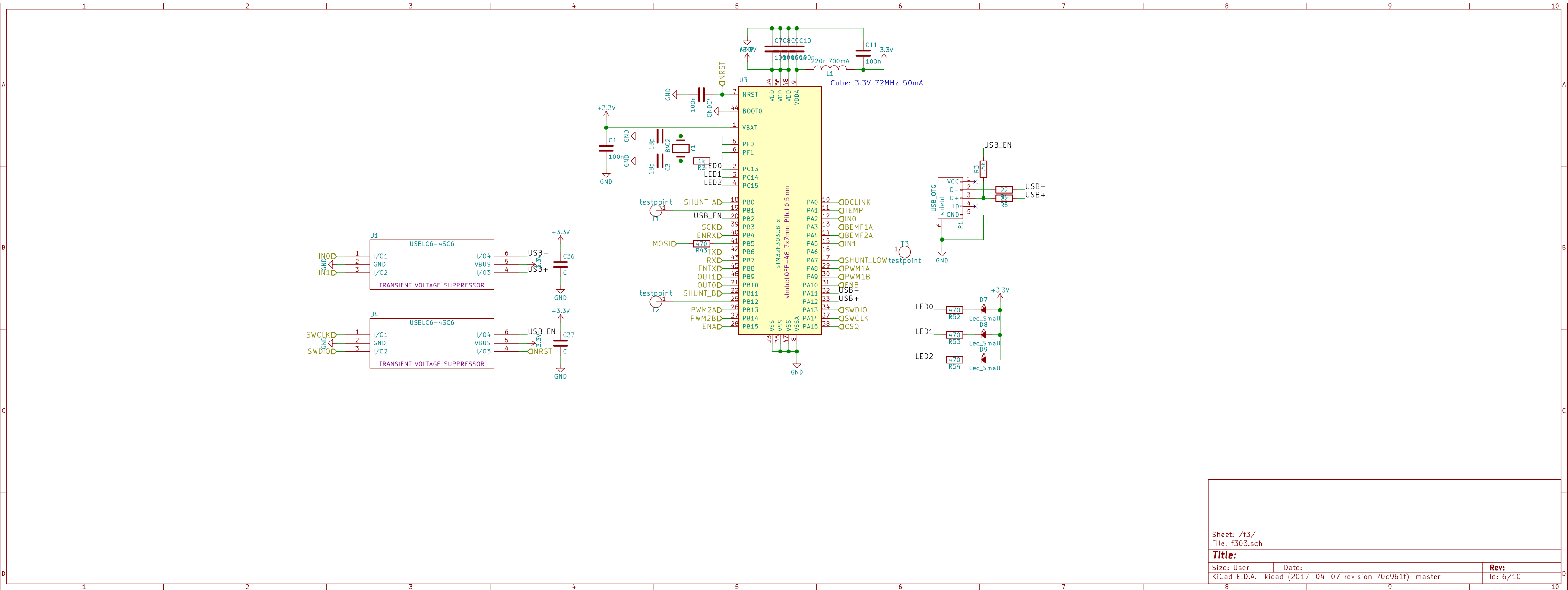
Size: A4

Date:

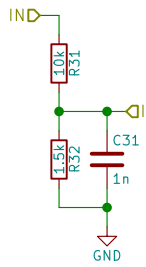
KiCad E.D.A. kicad (2017-04-07 revision 70c961f)-master

Rev:

Id: 5/10



Sheet: /f3/		
File: f303.sch		
Title:		
Size: User	Date:	Rev:
KiCad E.D.A. kicad (2017-04-07 revision 70c961f)-master		Id: 6/10



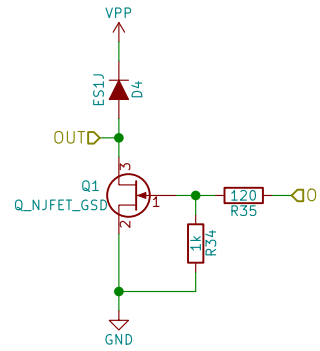
$$3.3 / 1.5V * (10k + 1.5k) = 25.3V$$

Sheet: /in0/
File: in.sch

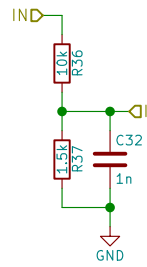
Title:

Size: A4 Date:
KiCad E.D.A. kicad (2017-04-07 revision 70c961f)-master

Rev:
Id: 7/10



Sheet: /out0/ File: out.sch		
Title:		
Size: A4	Date:	Rev:
KiCad E.D.A. kicad (2017-04-07 revision 70c961f)-master		Id: 8/10



$$3.3 / 1.5V * (10k + 1.5k) = 25.3V$$

Sheet: /in1/
File: in.sch

Title:

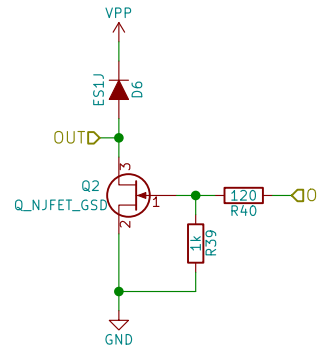
Size: A4

Date:

KiCad E.D.A. kicad (2017-04-07 revision 70c961f)-master

Rev:

Id: 9/10



Sheet: /out1/
File: out.sch

Title:

Size: A4 Date:
KiCad E.D.A. kicad (2017-04-07 revision 70c961f)-master

Rev:
Id: 10/10